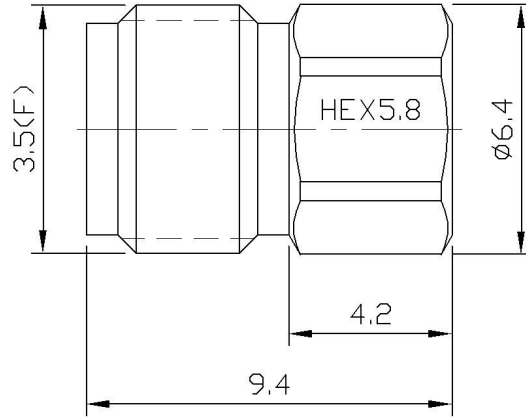




3.5mm Female Coaxial Termination, RT342F DC-34GHz, 2W, Round

Dimensions(mm) Tolerance±1%



Product Grade	
Grade	VSWR
Standard	1.15 max
Level B	1.10 max
Level A	1.08 max

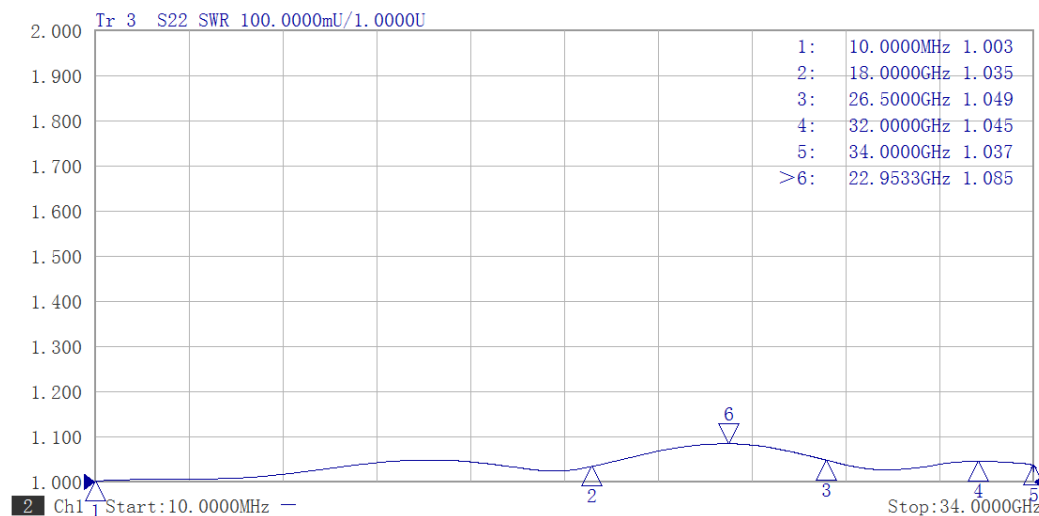
Electrical & Environmental

Frequency Range	DC-34GHz	Impedance	50 ohm	VSWR	1.15 max
Input Avg Power	2W @25°C	Peak Power	200W (5μsec pulse width, 1% duty cycle)		

Mechanical & Product Information

Product Number	RT342F, JP-Grade	Connector	3.5mm Female
Connector Body	Passivated stainless steel	Heat Sink	N/A
Center Contact	Gold plated beryllium copper		
Operating Temp	-55°C~+100°C	Net Weight	About 1.5g

Typical Test Data



Notes

1. Customized outlines and optimal VSWR available.
2. Refer to the derating curve for power input, derate linearly to 0.2W at 100°C.

