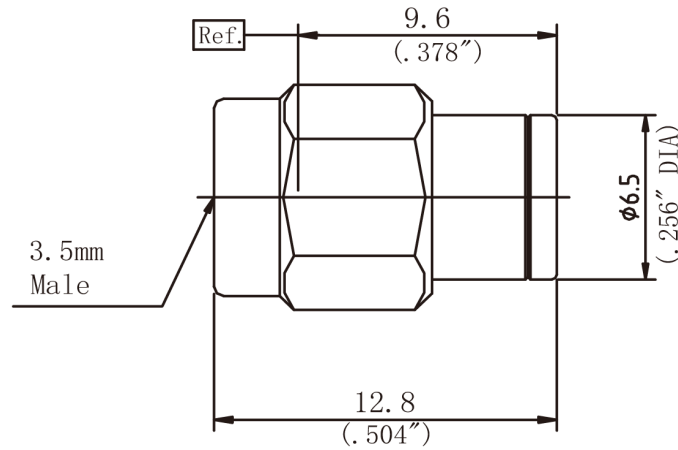




## 3.5mm Male Coaxial Termination, RT331M DC-33GHz, 1W, Round

### Dimensions(mm) Tolerance±1%



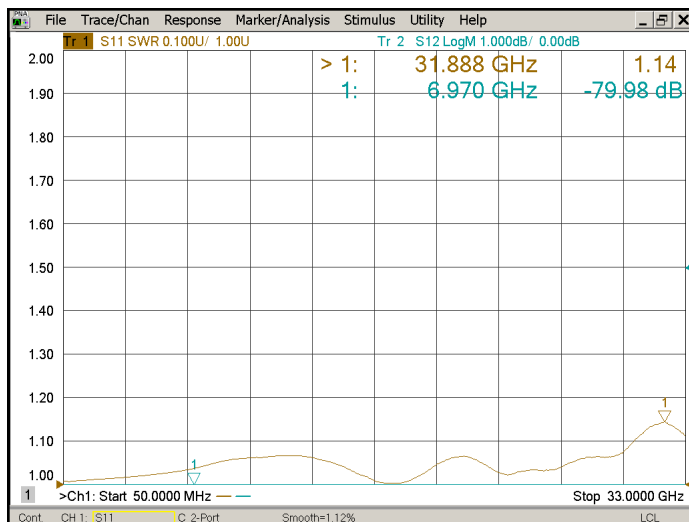
### Electrical & Environmental

<b>Frequency Range</b>	DC-33GHz	<b>Impedance</b>	50 ohm	<b>VSWR</b>	1.25 max
<b>Input Avg Power</b>	1W @25°C	<b>Peak Power</b>	100W (5μsec pulse width, 0.5% duty cycle)		

### Mechanical & Product Information

<b>Product Number</b>	RT331M, High-Precision	<b>Connector</b>	3.5mm Male
<b>Connector Body</b>	Passivated stainless steel	<b>Heat Sink</b>	N/A
<b>Center Contact</b>	Gold plated beryllium copper		
<b>Operating Temp</b>		<b>Net Weight</b>	-

### Typical Test Data



### Notes

1. Customized outlines and optimal VSWR available.
2. Refer to the derating curve for power input, derate linearly to 0.1W at 100°C.

