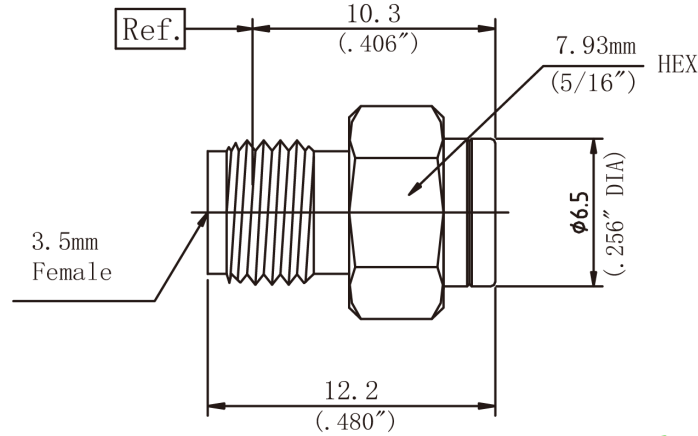


3.5mm Female Coaxial Termination, RT331F DC-33GHz, 1W, Round

Dimensions(mm) Tolerance±1%



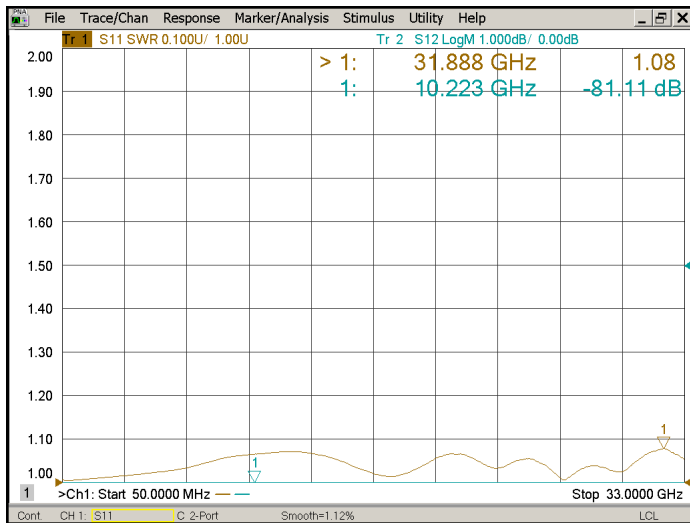
Electrical & Environmental

Frequency Range	DC-33GHz	Impedance	50 ohm	VSWR	1.25 max
Input Avg Power	1W @25°C	Peak Power	100W (5μsec pulse width, 0.5% duty cycle)		

Mechanical & Product Information

Product Number	RT331F, High-Precision	Connector	3.5mm Female
Connector Body	Passivated stainless steel	Heat Sink	N/A
Center Contact	Gold plated beryllium copper		
Operating Temp		Net Weight	-

Typical Test Data



Notes

1. Customized outlines and optimal VSWR available.
2. Refer to the derating curve for power input, derate linearly to 0.1W at 100°C.

