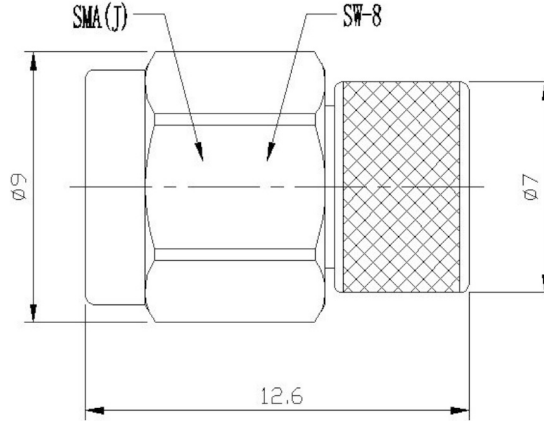


SMA Male Coaxial Termination, RT272SM-2 DC-26.5GHz, 2W, Round

Dimensions(mm) Tolerance±1%



Electrical & Environmental

Frequency Range	DC-26.5GHz	Impedance	50 ohm	VSWR	1.25 max
Input Avg Power	2W @25°C	Peak Power	20W (5μsec pulse width, 1% duty cycle)		

Mechanical & Product Information

Product Number	RT272SM-2, JP-Grade	Connector	SMA Male
Connector Body	Passivated stainless steel	Heat Sink	N/A
Center Contact	Gold plated brass		
Operating Temp	-55°C~+125°C	Net Weight	About 3.0g

Typical Test Data

Notes

1. Customized outlines and optimal VSWR available.
2. Refer to the derating curve for power input, derate linearly to 0.2W at 100°C.

