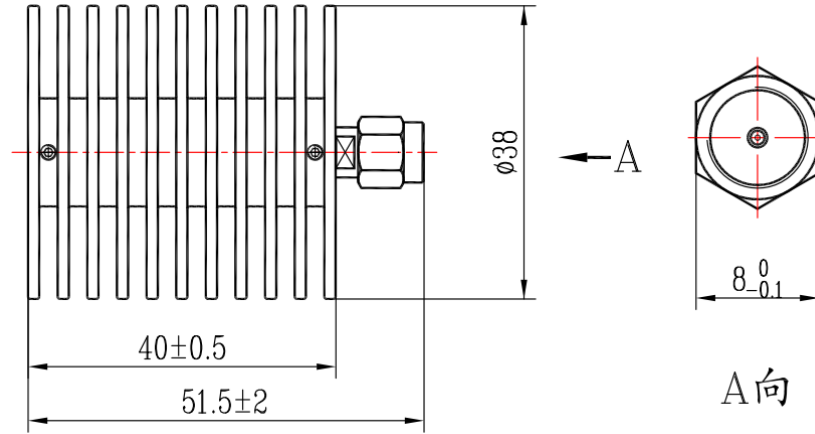


SMA Male Coaxial Termination, RT1830SM DC-18GHz, 30W, Round

Dimensions(mm) Tolerance±1%



Electrical & Environmental

Frequency Range	DC-18GHz	Impedance	50 ohm	VSWR	1.4 max
Input Avg Power	30W @25°C	Peak Power	1kW (5μsec pulse width, 1% duty cycle)		

Mechanical & Product Information

Product Number	RT1830SM, P-Grade	Connector	SMA Male
Connector Body	Passivated stainless steel	Heat Sink	Black anodized aluminum
Center Contact	Gold plated phosphor copper		
Operating Temp	-55°C~+125°C	Net Weight	-

Typical Test Data

Notes

1. Customized outlines and optimal VSWR available.
2. Refer to the derating curve for power input, derate linearly to 3W at 100°C.
3. To maintain best performance, recommended to use fan to keep the case temp under 85°C.

