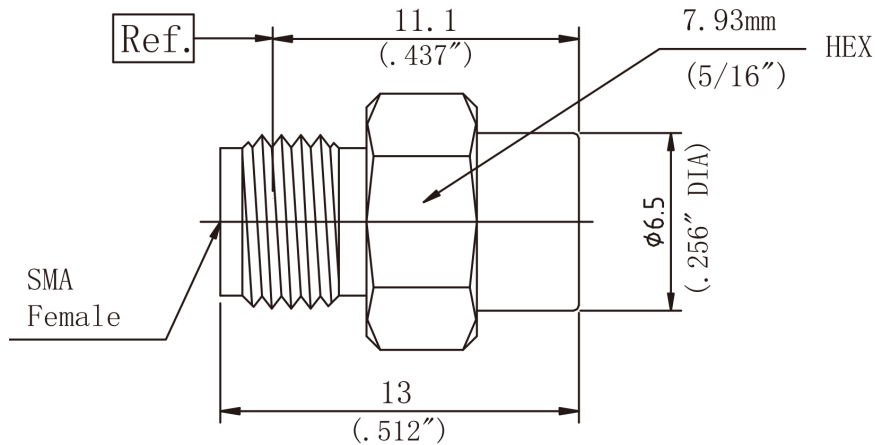


SMA Female Coaxial Termination, RT181SF DC-18GHz, 1W, Round

Dimensions(mm) Tolerance±1%



Electrical & Environmental

Frequency Range	DC-18GHz	Impedance	50 ohm	VSWR	1.15 max
Input Avg Power	1W @25°C	Peak Power	100W (5μsec pulse width, 0.5% duty cycle)		

Mechanical & Product Information

Product Number	RT181SF, High-Precision	Connector	SMA Female
Connector Body	Passivated stainless steel	Heat Sink	N/A
Center Contact	Gold plated beryllium copper		
Operating Temp		Net Weight	-

Typical Test Data

Notes

1. Customized outlines and optimal VSWR available.
2. Refer to the derating curve for power input, derate linearly to 0.1W at 100°C.

