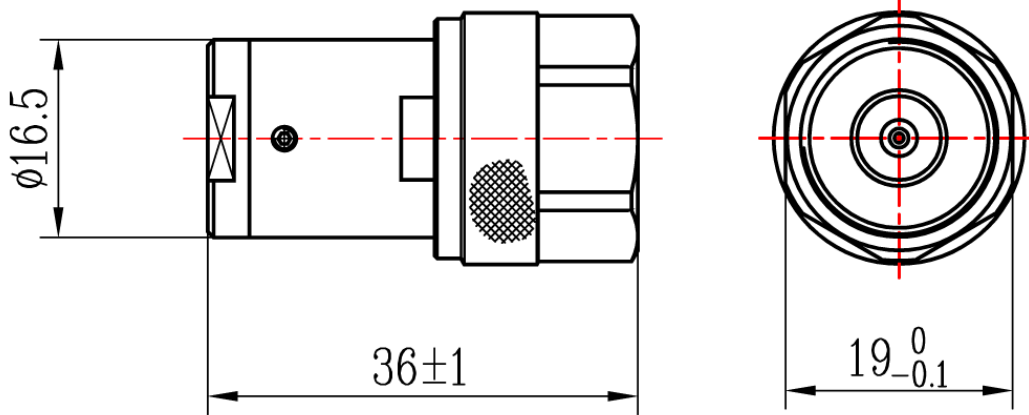




N Male Coaxial Termination, RT125NM DC-12.4GHz, 5W, Round

Dimensions(mm) Tolerance $\pm 1\%$



Electrical & Environmental

Frequency Range	DC-12.4GHz	Impedance	50 ohm	VSWR	1.25 max
Input Avg Power	5W @25°C	Peak Power	500W (5μsec pulse width, 0.5% duty cycle)		

Mechanical & Product Information

Product Number	RT125NM, P-Grade	Connector	N Male
Connector Body	Ternary alloy plated brass	Heat Sink	N/A
Center Contact	Gold plated brass		
Operating Temp	-55°C~+125°C	Net Weight	About 45.0g

1. Customized connectors, dimensions, PIM, VSWR.
2. Refer to the RFTOP Termination selection and usage guide.

Notes: To ensure longevity and performance, do not use at full power for a long time. Peak power, pulse width, and duty cycle need to meet the requirements. Input high power, require heat dissipation, maintain temperature within 60°C. Reference Curve, derate linearly to 0.5W at 100°C.

