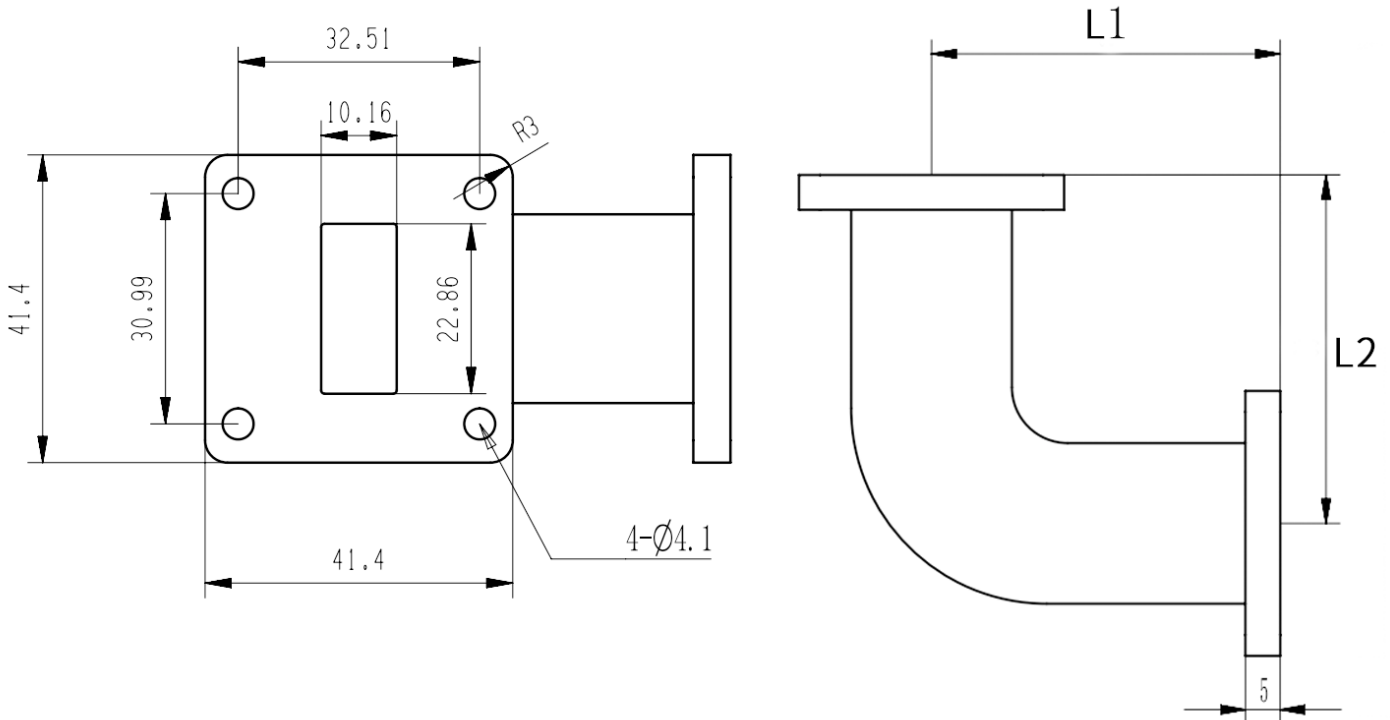




WR90(R100) Radius Right Angle Bent Waveguide, RWGWE90-L1-L2 8.2-12.5GHz, 2500W, UBR100 Flange, E-Bend

Dimensions(mm) Tolerance $\pm 1\%$



Electrical & Environmental

Frequency Range	8.2-12.5GHz
VSWR	1.1 Max
Input Avg Power	2500W @25°C
Peak Power	500KW
Temperature Range	-55°C~+85°C

Product Selection, Customizable			
RFTOP P/N	L1(mm)	L2(mm)	IL(dB)
RWGWE90-50-50	50	50	≤ 0.10

Mechanical & Product Information

Product Number	RWGWE90-L1-L2
Product Type	Bent Waveguide
Waveguide 1	WR90(R100), UBR100 Flange
Waveguide 2	WR90(R100), UBR100 Flange
Waveguide Body	Aluminum, grey painted
Center Contact	Aluminum, pickling

Notes

1. Customized services include: length and structure and flange type.
2. The marked loss is the theoretical estimated loss, for reference only, the specific product after processing test shall prevail.
3. Please refer to the second page of the specification of typical electrical performance measured curve.



WR90(R100) Radius Right Angle Bent Waveguide, RWGWE90-L1-L2
8.2-12.5GHz, 2500W, UBR100 Flange, E-Bend

Typical Test Data

