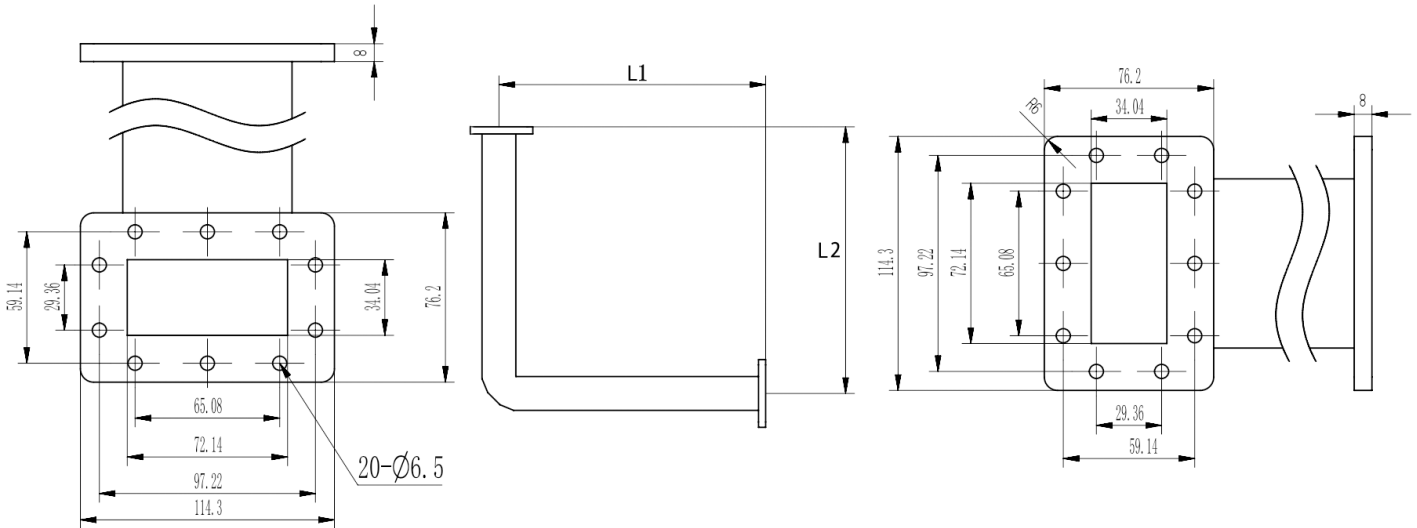




WR284(R32) Radius Right Angle Bent Waveguide, RWGWE284-L1-L2 2.6-3.95GHz, UDR32 Flange, E-Bend

Dimensions(mm) Tolerance $\pm 1\%$



Electrical & Environmental

Frequency Range	2.6-3.95GHz
VSWR	1.1 Max
Temperature Range	-40°C~+70°C

Product Selection, Customizable			
RFTOP P/N	L1(mm)	L2(mm)	IL(dB)
RWGWE284-80-80	80	80	0.06
RWGWE284-300-300	300	300	0.09

Mechanical & Product Information

Product Number	RWGWE284-L1-L2
Product Type	Bent Waveguide
Waveguide 1	WR284(R32), UDR32 Flange
Waveguide 2	WR284(R32), UDR32 Flange
Waveguide Body	Aluminum, grey painted
Center Contact	Aluminum, electric conductive oxidation

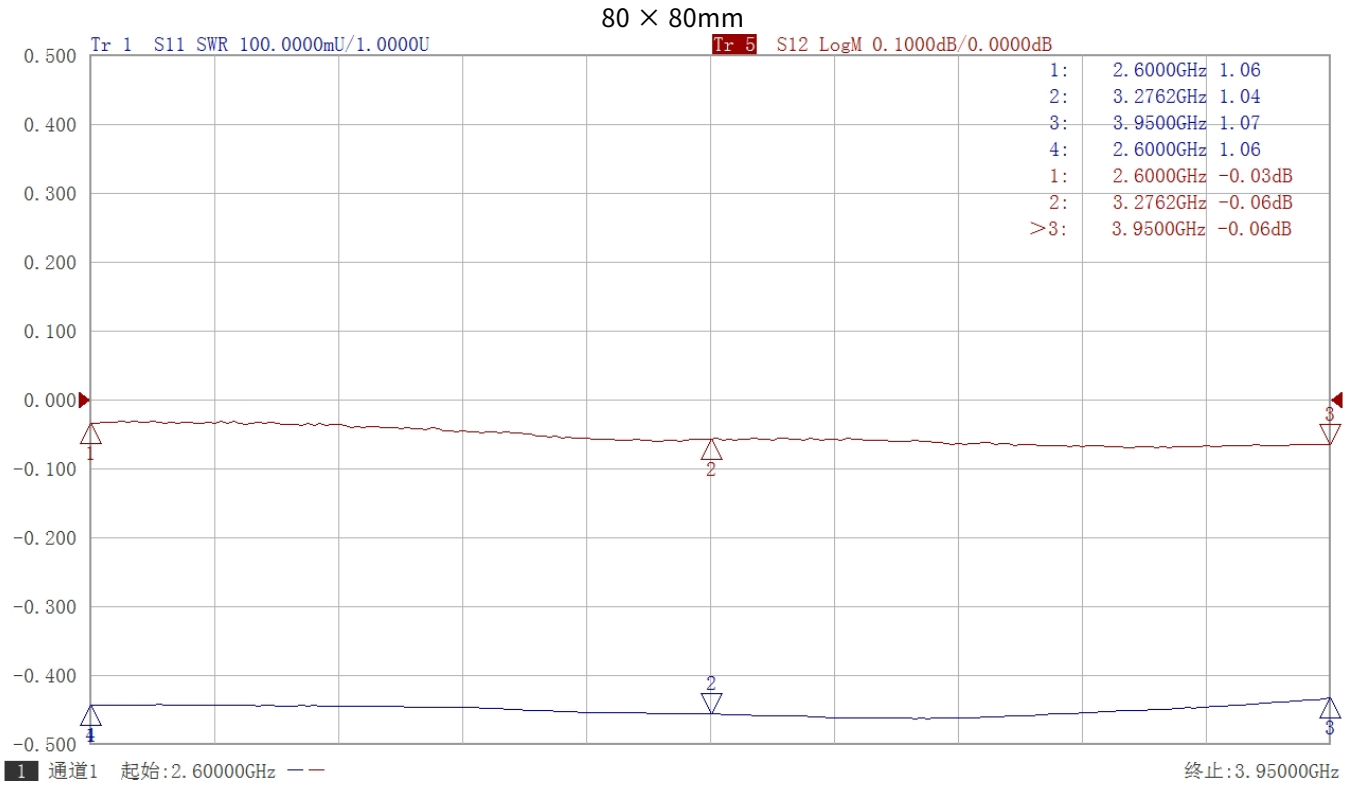
Notes

1. Customized services include: length and structure and flange type.
2. The marked loss is the theoretical estimated loss, for reference only, the specific product after processing test shall prevail.
3. Please refer to the second page of the specification of typical electrical performance measured curve.



WR284(R32) Radius Right Angle Bent Waveguide, RWGWE284-L1-L2 2.6-3.95GHz, UDR32 Flange, E-Bend

Typical Test Data



300 × 300mm

