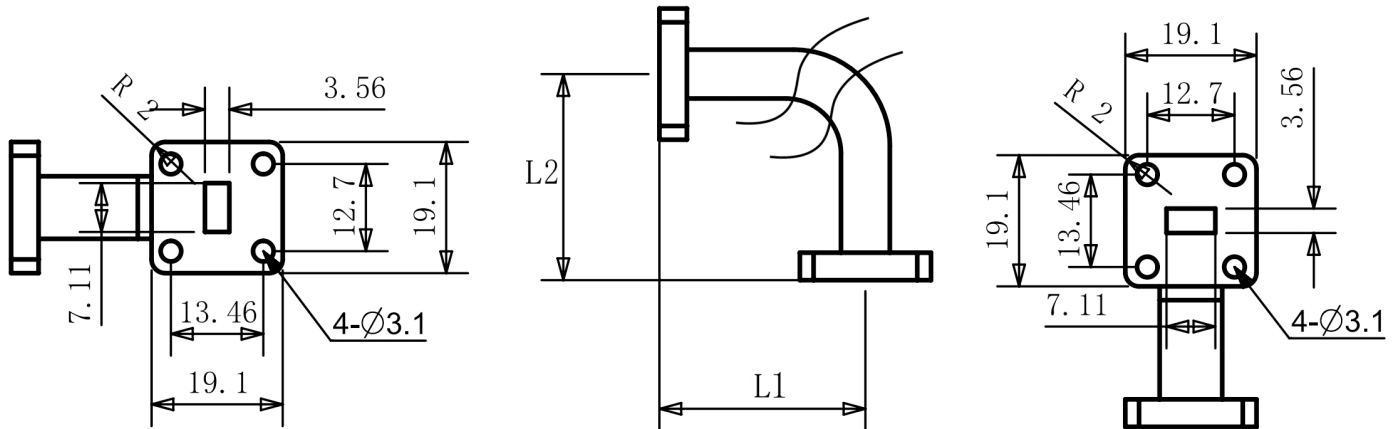




WR28(R320) Radius Right Angle Bent Waveguide, RWGWE28-L1-L2 26.3-40GHz, UBR320 Flange, E-Bend

Dimensions(mm) Tolerance $\pm 1\%$



Electrical & Environmental

Frequency Range	26.3-40GHz
VSWR	1.1 Max
Temperature Range	-40°C~+70°C

Product Selection, Customizable			
RFTOP P/N	L1(mm)	L2(mm)	IL(dB)
RWGWE28-25-25	25	25	≤ 0.15

Mechanical & Product Information

Product Number	RWGWE28-L1-L2
Product Type	Bent Waveguide
Waveguide 1	WR28(R320), UBR320 Flange
Waveguide 2	WR28(R320), UBR320 Flange
Waveguide Body	Copper
Center Contact	Copper, pickling

Notes

1. Customized services include: length and structure and flange type.
2. The marked loss is the theoretical estimated loss, for reference only, the specific product after processing test shall prevail.
3. Please refer to the second page of the specification of typical electrical performance measured curve.



WR28(R320) Radius Right Angle Bent Waveguide, RWGWE28-L1-L2
26.3-40GHz, UBR320 Flange, E-Bend

Typical Test Data

