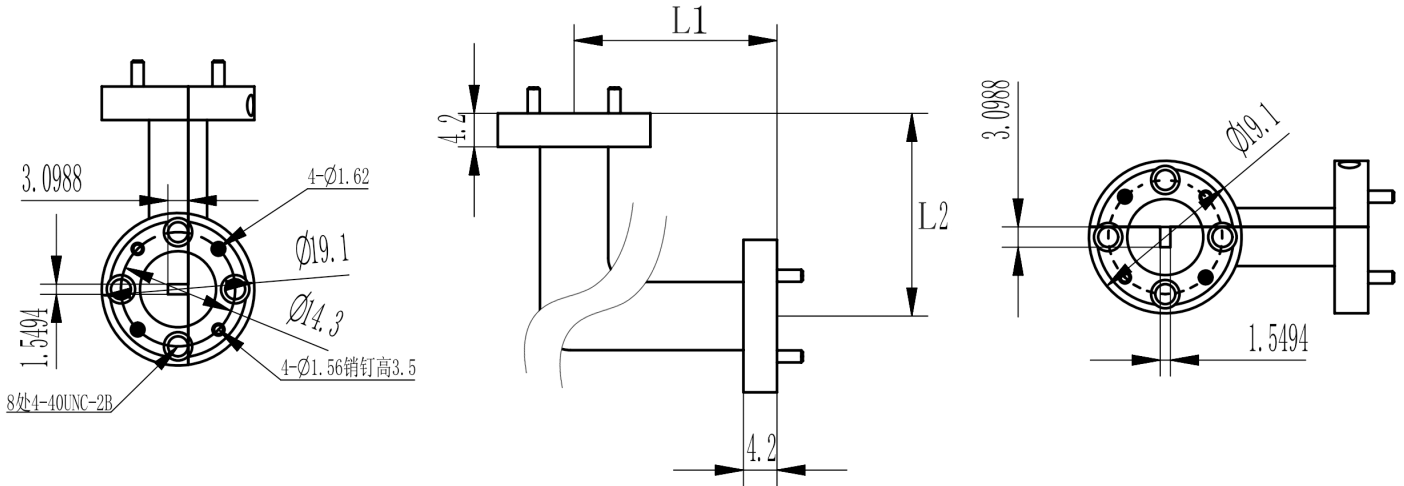


## WR12(R740) Radius Right Angle Bent Waveguide, RWGWE12-L1-L2 60.5-91.9GHz, FUGP740 Flange, E-Bend

Dimensions(mm) Tolerance $\pm 1\%$



### Electrical & Environmental

Frequency Range	60.5-91.9GHz
VSWR	1.1 Max
Temperature Range	-40°C~+70°C

Product Selection, Customizable			
RFTOP P/N	L1(mm)	L2(mm)	IL(dB)
RWGWE12-25-25	25.4	25.4	$\leq 0.25$

### Mechanical & Product Information

Product Number	RWGWE12-L1-L2
Product Type	Bent Waveguide
Waveguide 1	WR12(R740), FUGP740 Flange
Waveguide 2	WR12(R740), FUGP740 Flange
Waveguide Body	Copper, gold plated
Center Contact	Copper, gold plated

#### Notes

1. Customized services include: length and structure and flange type.
2. The marked loss is the theoretical estimated loss, for reference only, the specific product after processing test shall prevail.
3. Please refer to the second page of the specification of typical electrical performance measured curve.