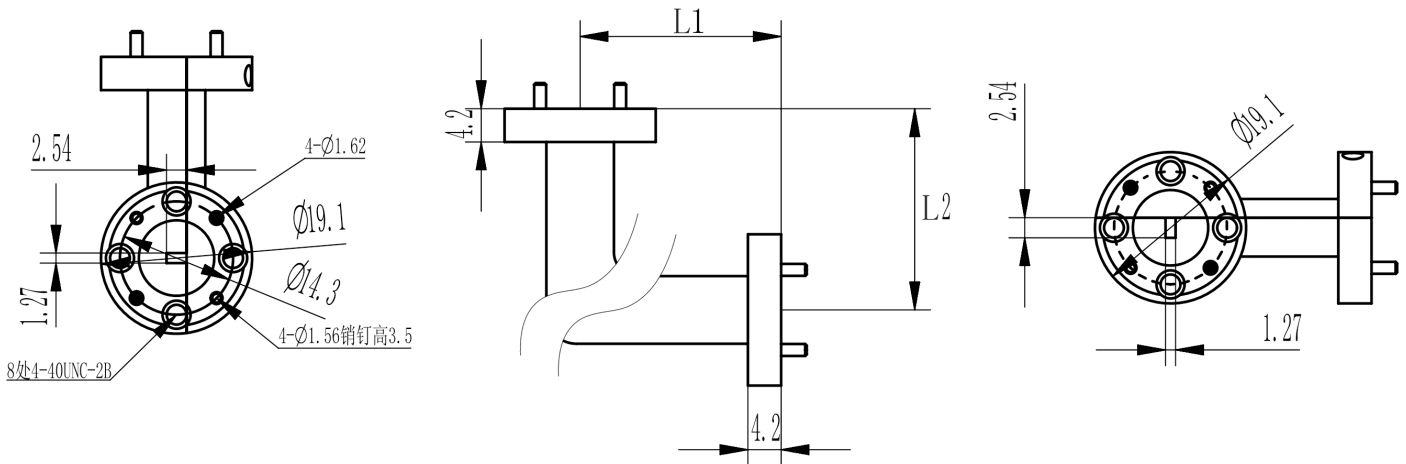


WR10(R900) Radius Right Angle Bent Waveguide, RWGWE10-L1-L2 73.8-112GHz, FUGP900 Flange, E-Bend

Dimensions(mm) Tolerance $\pm 1\%$



Electrical & Environmental

Frequency Range	73.8-112GHz
VSWR	1.1 Max
Temperature Range	-40°C~+70°C

Product Selection, Customizable			
RFTOP P/N	L1(mm)	L2(mm)	IL(dB)
RWGWE10-25-25	25.4	25.4	≤0.30
RWGWE10-30-30	30	30	0.78
RWGWE10-50-50	50	50	1.27

Mechanical & Product Information

Product Number	RWGWE10-L1-L2
Product Type	Bent Waveguide
Waveguide 1	WR10(R900), FUGP900 Flange
Waveguide 2	WR10(R900), FUGP900 Flange
Waveguide Body	Copper, gold plated
Center Contact	Copper, gold plated

Notes

1. Customized services include: length and structure and flange type.
2. The marked loss is the theoretical estimated loss, for reference only, the specific product after processing test shall prevail.
3. Please refer to the second page of the specification of typical electrical performance measured curve.