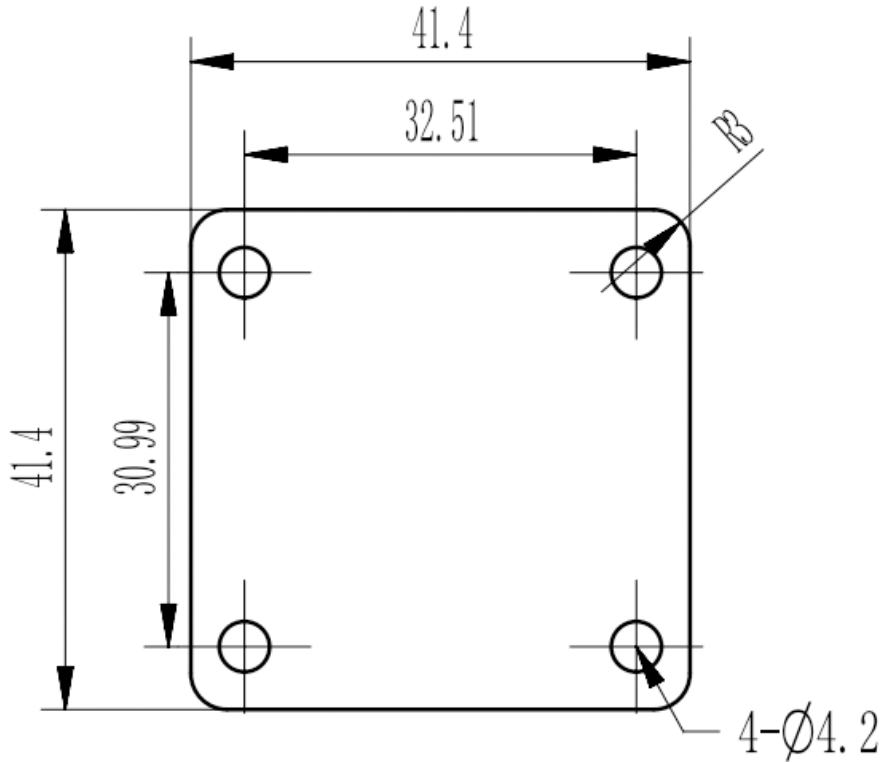




WR90(BJ100) Short-circuiter, **RWGSC90**
8.2-12.4GHz, FBP100(UBR) Flange

Dimensions(mm) Tolerance $\pm 1\%$



Electrical & Environmental

Frequency Range	8.2-12.4GHz
Temperature Range	-40°C to 70°C

Mechanical & Product Information

Product Number	RWGSC90
Product Type	Short-circuiter
Waveguide 1	WR90(BJ100), FBP100(UBR) Flange
Waveguide 2	WR90(BJ100), FBP100(UBR) Flange
Waveguide Body	Aluminum, grey painted
Center Contact	Aluminum, electric conductive oxidation