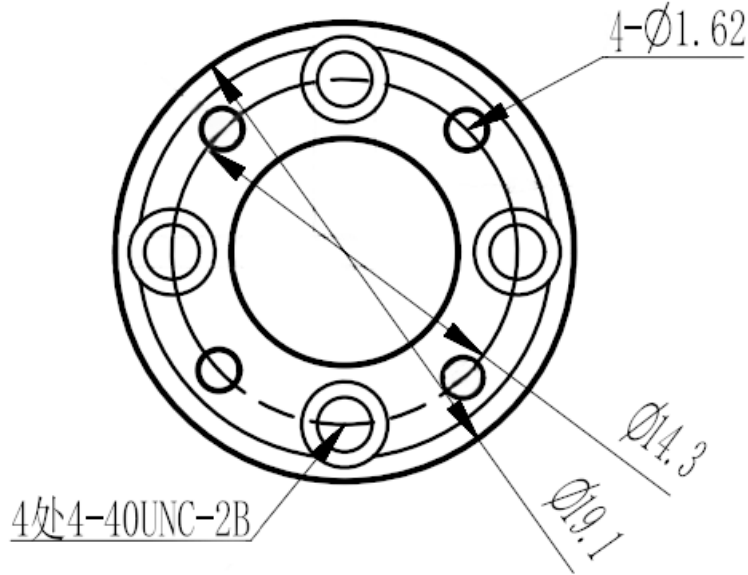


WR8(BJ1200) Short-circuiter, **RWGSC8**
92.3-140GHz, FUGP1200 Circular Flange

Dimensions(mm) Tolerance $\pm 1\%$



Electrical & Environmental

Frequency Range	92.3-140GHz
Temperature Range	-40°C to 70°C

Mechanical & Product Information

Product Number	RWGSC8
Product Type	Short-circuiter
Waveguide 1	WR8(BJ1200), FUGP1200 Circular Flange
Waveguide 2	WR8(BJ1200), FUGP1200 Circular Flange
Waveguide Body	Copper, gold plated
Center Contact	Copper, gold plated