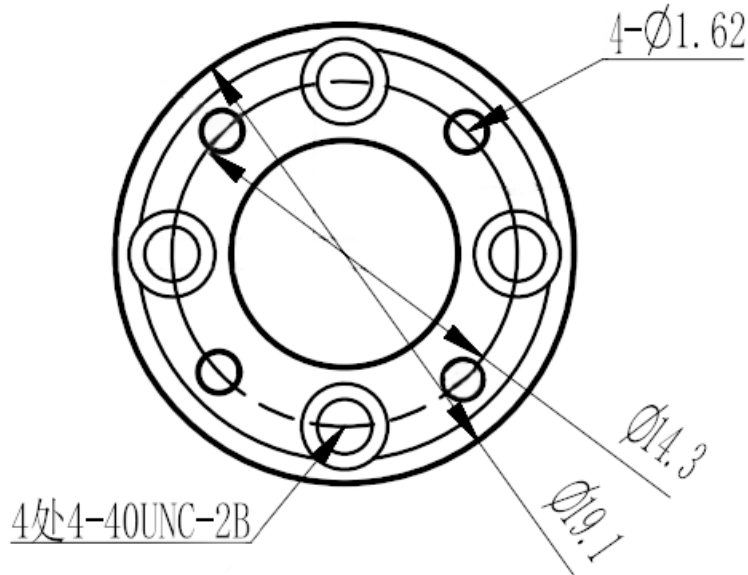


WR4(BJ2200) Short-circuiter, **RWGSC4**  
172-261GHz, FUGP2200 Circular Flange

Dimensions(mm) Tolerance $\pm 1\%$



Electrical & Environmental

Frequency Range	172-261GHz
Temperature Range	-40°C to 70°C

Mechanical & Product Information

Product Number	RWGSC4
Product Type	Short-circuiter
Waveguide 1	WR4(BJ2200), FUGP2200 Circular Flange
Waveguide 2	WR4(BJ2200), FUGP2200 Circular Flange
Waveguide Body	Copper, gold plated
Center Contact	Copper, gold plated