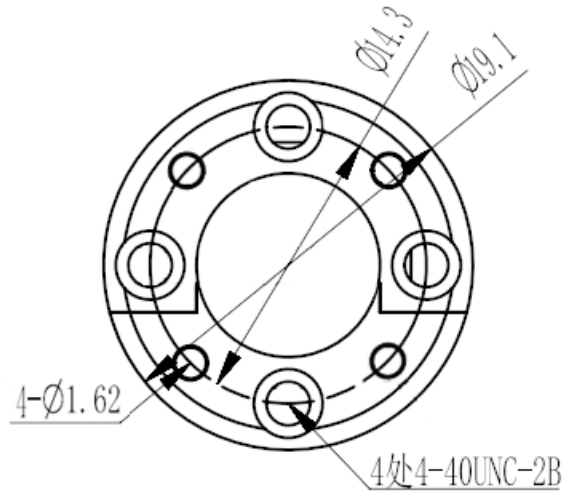




WR15(R620) Short-circuiter, RWGSC15
49.8-75.8GHz, FUGP620 Flange

Dimensions(mm) Tolerance $\pm 1\%$



Electrical & Environmental

Frequency Range	49.8-75.8GHz
Temperature Range	-40°C~+70°C

Mechanical & Product Information

Product Number	RWGSC15
Product Type	Short-circuiter
Waveguide 1	WR15(R620), FUGP620 Flange
Waveguide 2	WR15(R620), FUGP620 Flange
Waveguide Body	Copper, gold plated
Center Contact	Copper, gold plated