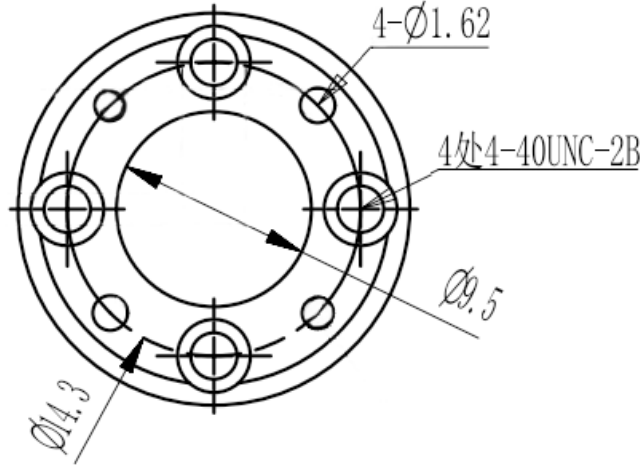


WR12(BJ740) Short-circuiter, RWGSC12
60.5-91.9GHz, FUGP740 Circular Flange

Dimensions(mm) Tolerance±1%



Electrical & Environmental

Frequency Range	60.5-91.9GHz
Temperature Range	-40°C to70°C

Mechanical & Product Information

Product Number	RWGSC12
Product Type	Short-circuiter
Waveguide 1	WR12(BJ740), FUGP740 Circular Flange
Waveguide 2	WR12(BJ740), FUGP740 Circular Flange
Waveguide Body	Copper, gold plated
Center Contact	Copper, gold plated