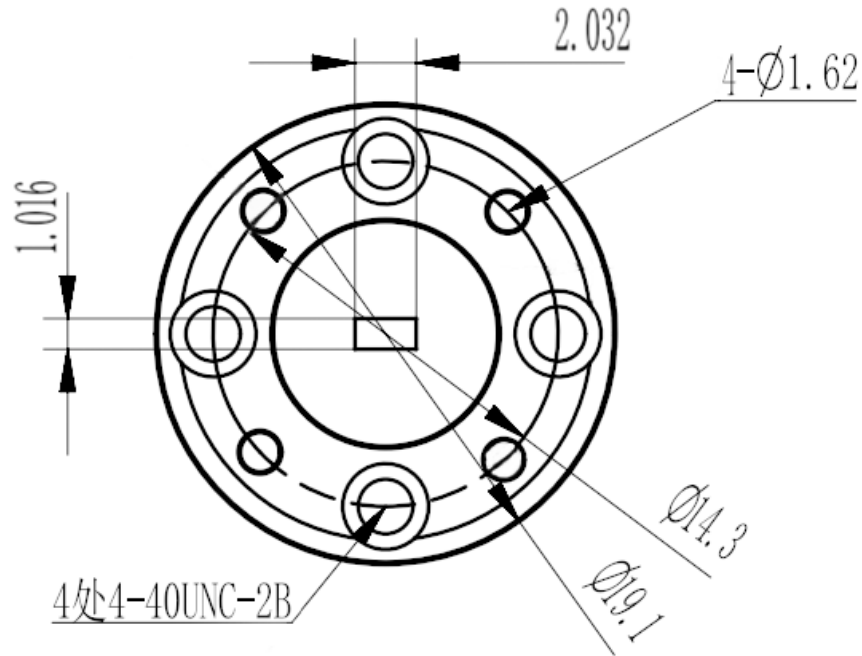


WR8(R1200) 1/4 Line, **RWGQL8**
92.2-140GHz, FUGP1200 Flange

Dimensions(mm) Tolerance $\pm 1\%$



Electrical & Environmental

Frequency Range	92.2-140GHz
Temperature Range	-40°C~+70°C

Mechanical & Product Information

Product Number	RWGQL8
Product Type	1/4 Line
Waveguide 1	WR8(R1200), FUGP1200 Flange
Waveguide 2	WR8(R1200), FUGP1200 Flange
Waveguide Body	Copper, gold plated
Center Contact	Copper, gold plated