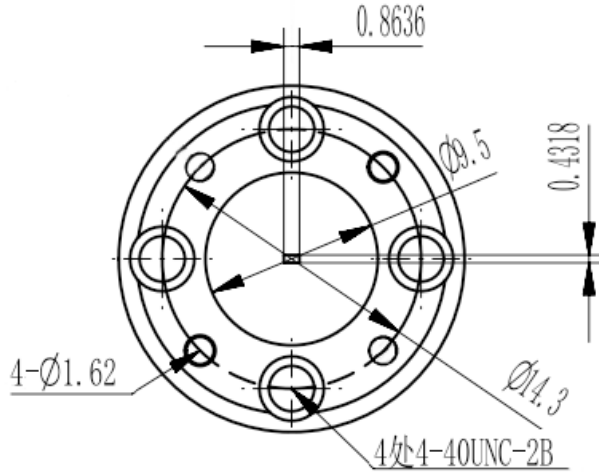


WR3(R2600) 1/4 Line, RWGQL3
217-330GHz, FUGP2600 Flange

Dimensions(mm) Tolerance $\pm 1\%$



Electrical & Environmental

Frequency Range	217-330GHz
Temperature Range	-40°C~+70°C

Mechanical & Product Information

Product Number	RWGQL3
Product Type	1/4 Line
Waveguide 1	WR3(R2600), FUGP2600 Flange
Waveguide 2	WR3(R2600), FUGP2600 Flange
Waveguide Body	Copper, gold plated
Center Contact	Copper, gold plated