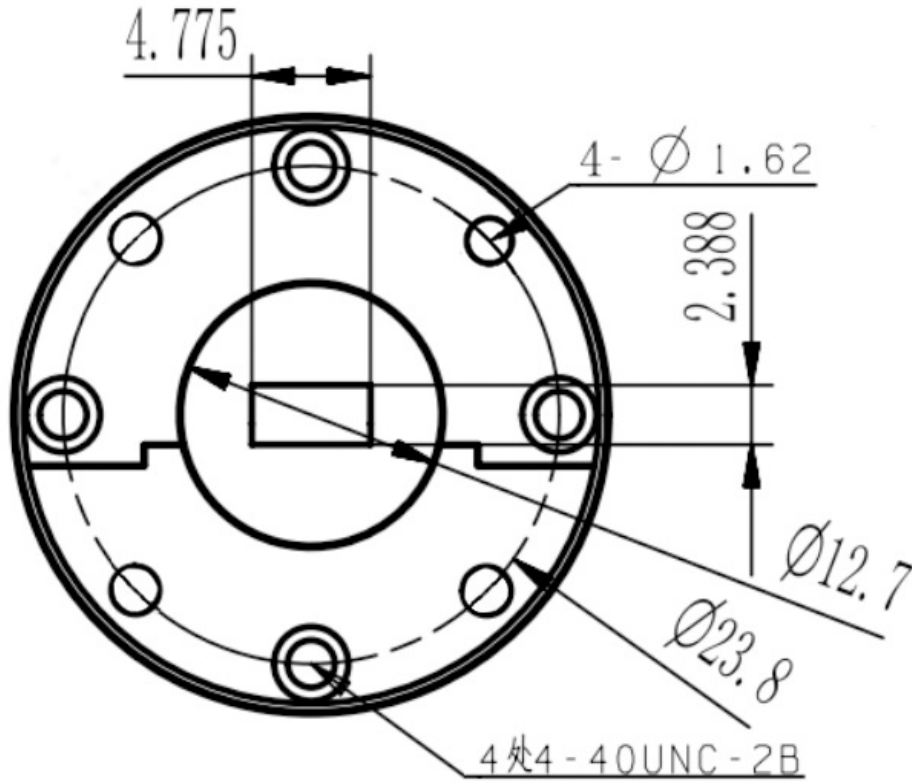


WR19(BJ500) 1/4 Line, RWGQL19
39.2-59.6GHz, FUGP500 Circular Flange

Dimensions(mm) Tolerance $\pm 1\%$



Electrical & Environmental

Frequency Range	39.2-59.6GHz
Temperature Range	-40°C to 70°C

Mechanical & Product Information

Product Number	RWGQL19
Product Type	1/4 Line
Waveguide 1	WR19(BJ500), FUGP500 Circular Flange
Waveguide 2	WR19(BJ500), FUGP500 Circular Flange
Waveguide Body	Copper, gold plated
Center Contact	Copper, gold plated