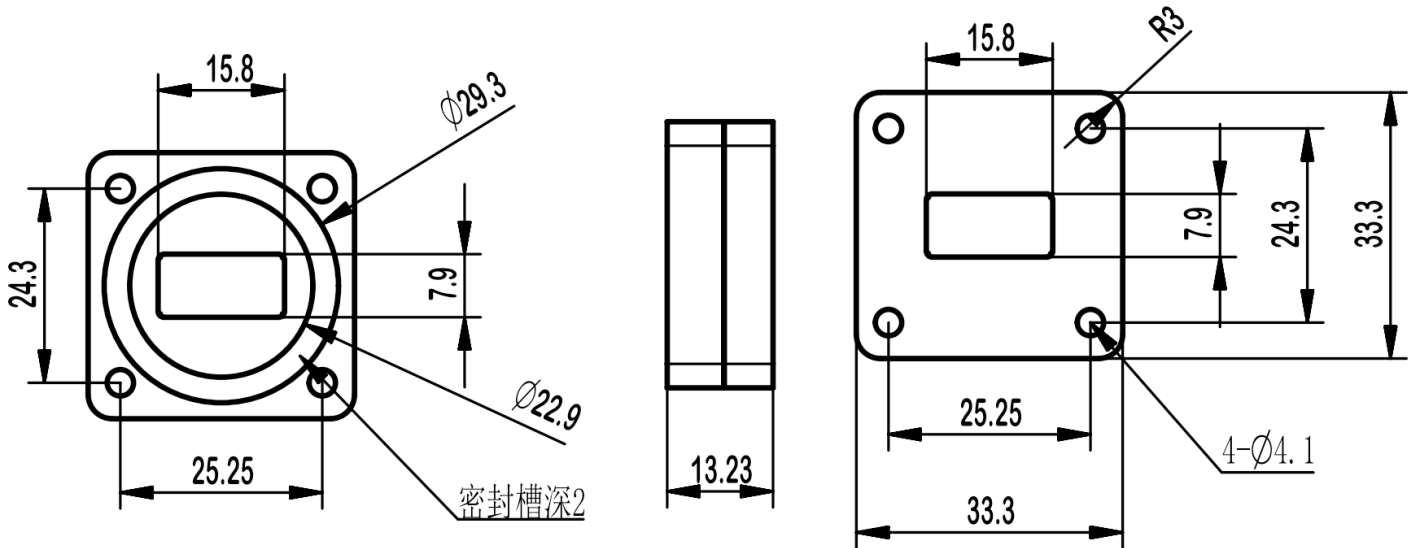




WR62(R140) Waveguide Pressure Windows, RWGPW62G 11.9-18GHz, 300W, PBR140 Flange

Dimensions(mm) Tolerance $\pm 1\%$



Electrical & Environmental

Frequency Range	11.9-18GHz
VSWR	1.2 Max
Insertion Loss	0.2dB Max
Input Avg Power	300W @25°C
Operating Pressure	100000psig Max
Temperature Range	-40°C~+70°C

Mechanical & Product Information

Product Number	RWGPW62G
Product Type	Waveguide Pressure Windows
Waveguide 1	WR62(R140), PBR140 Flange
Waveguide 2	WR62(R140), UBR140 Flange
Waveguide Body	Copper, grey painted
Center Contact	Copper pickling