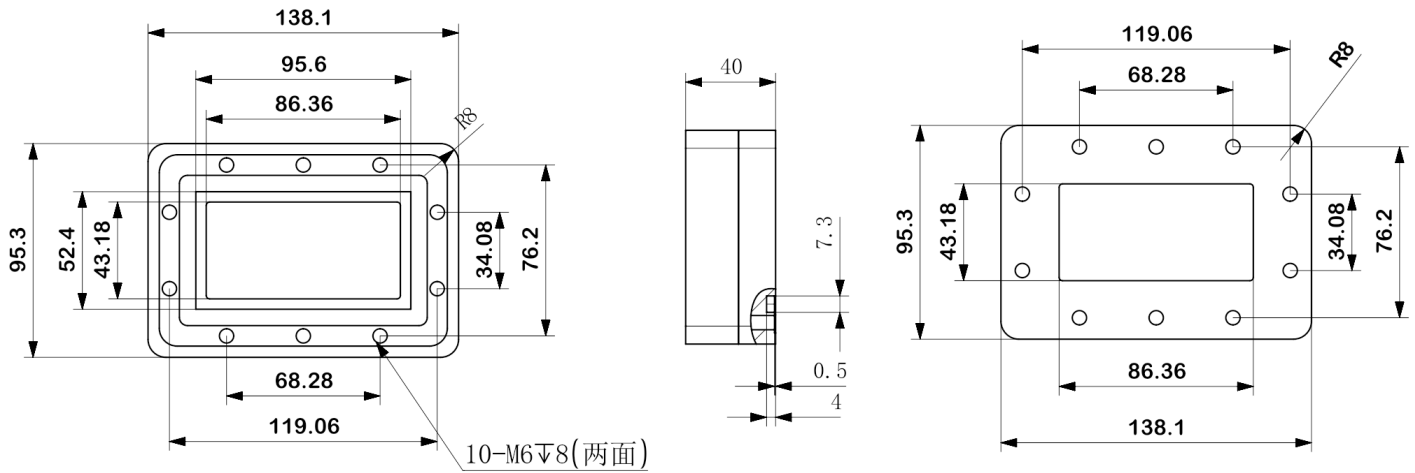


WR340(R26) Waveguide Pressure Windows, RWGPW340G 2.17-3.3GHz, PDR26 Flange

Dimensions(mm) Tolerance $\pm 1\%$



Electrical & Environmental

Frequency Range	2.17-3.3GHz
VSWR	1.2 Max
Insertion Loss	0.2dB Max
Operating Pressure	100000psig Max
Temperature Range	-40°C~+70°C

Mechanical & Product Information

Product Number	RWGPW340G
Product Type	Waveguide Pressure Windows
Waveguide 1	WR340(R26), PDR26 Flange
Waveguide 2	WR340(R26), UDR26 Flange
Waveguide Body	Aluminum, grey painted
Center Contact	Aluminum, electric conductive oxidation