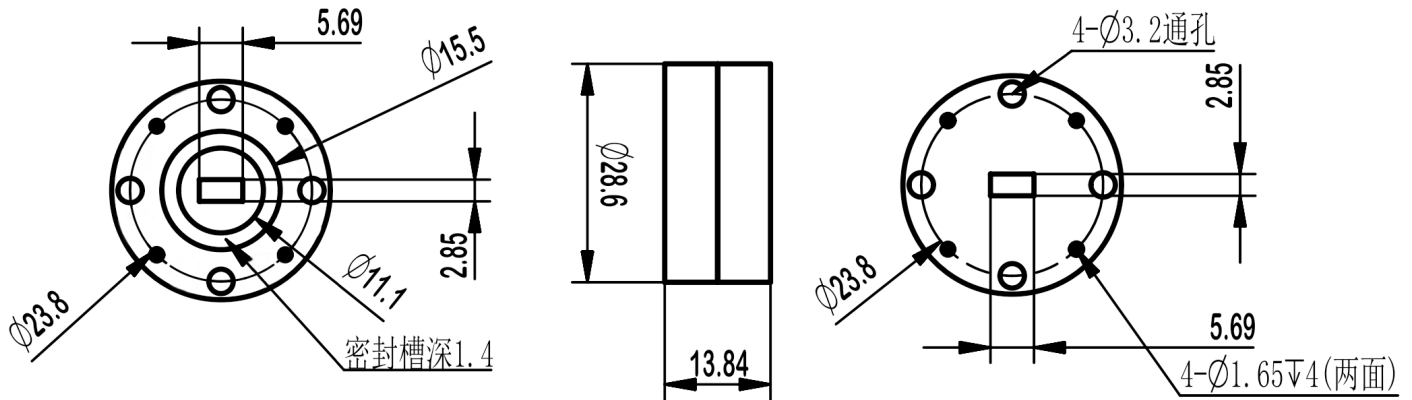


## WR22(R400) Waveguide Pressure Windows, RWGPW22G 32.9-50.1GHz, 200W,

Dimensions(mm) Tolerance $\pm 1\%$



### Electrical & Environmental

Frequency Range	32.9-50.1GHz
VSWR	1.2 Max
Insertion Loss	0.3dB Max
Input Avg Power	200W @25°C
Operating Pressure	100000psig Max
Temperature Range	-40°C~+70°C

### Mechanical & Product Information

Product Number	RWGPW22G
Product Type	Waveguide Pressure Windows
Waveguide 1	WR22(R400),
Waveguide 2	WR22(R400),
Waveguide Body	Copper, gold plated
Center Contact	Copper, gold plated