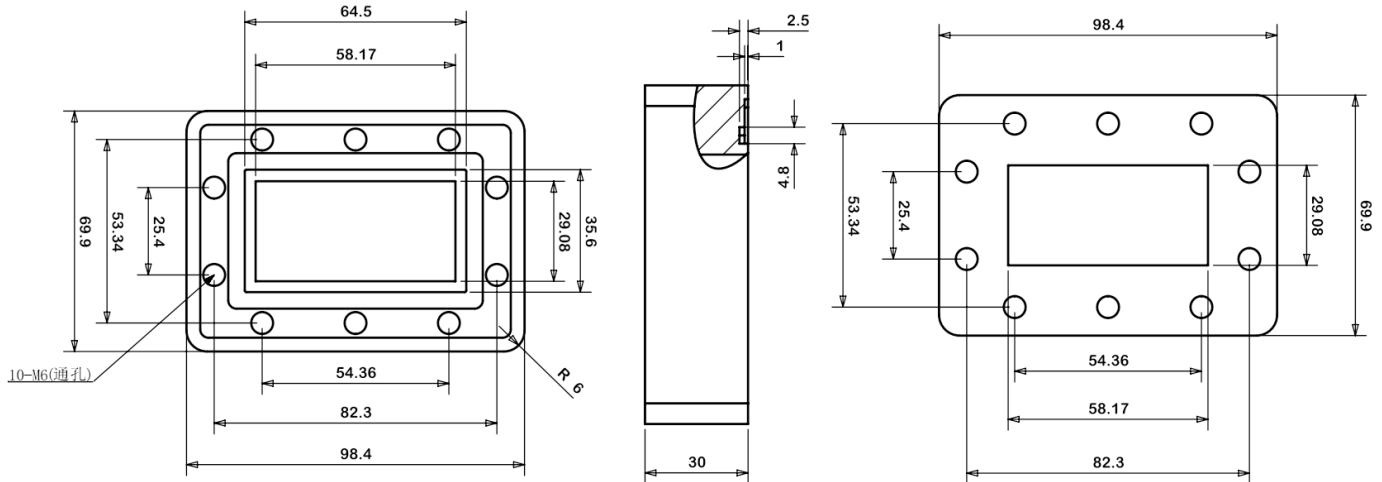


## WR229(R40) Waveguide Pressure Windows, RWGPW229G 3.22-4.9GHz, 1000W, PDR40 Flange

### Dimensions(mm) Tolerance±1%



### Electrical & Environmental

|                    |                |
|--------------------|----------------|
| Frequency Range    | 3.22-4.9GHz    |
| VSWR               | 1.2 Max        |
| Insertion Loss     | 0.2dB Max      |
| Input Avg Power    | 1000W @25°C    |
| Operating Pressure | 100000psig Max |
| Temperature Range  | -40°C~+70°C    |

### Mechanical & Product Information

|                |   |
|----------------|---|
| Product Number | RWGPW229G                               |
| Product Type   | Waveguide Pressure Windows              |
| Waveguide 1    | WR229(R40), PDR40 Flange                |
| Waveguide 2    | WR229(R40), UDR40 Flange                |
| Waveguide Body | Aluminum, grey painted                  |
| Center Contact | Aluminum, electric conductive oxidation |