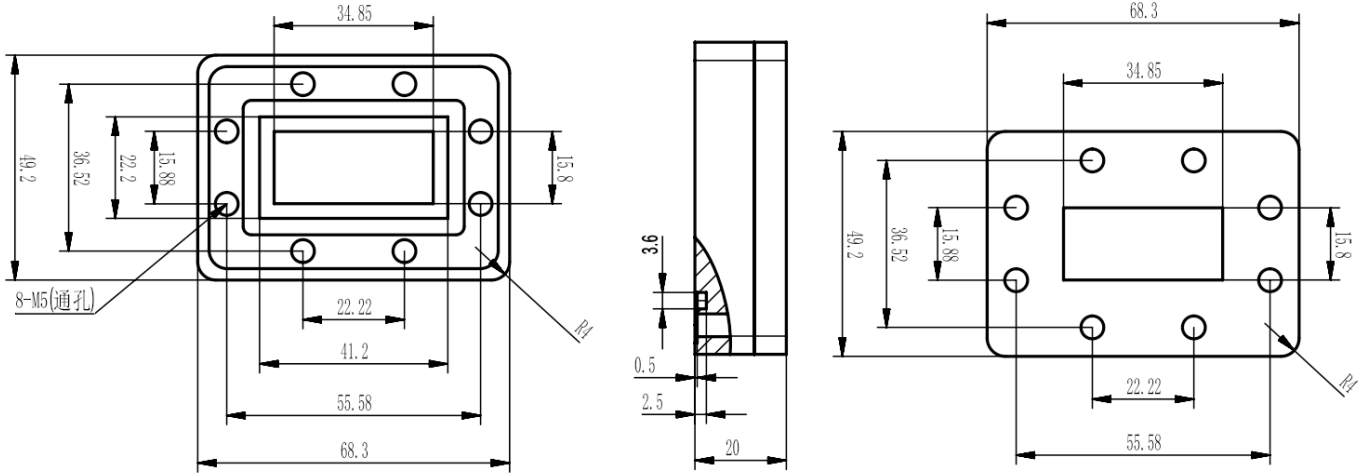


## WR137(R70) Waveguide Pressure Windows, RWGPW137G 5.38-8.17GHz, 500W, PDR70 Flange

### Dimensions(mm) Tolerance $\pm 1\%$



### Electrical & Environmental

Frequency Range	5.38-8.17GHz
VSWR	1.2 Max
Insertion Loss	0.2dB Max
Input Avg Power	500W @25°C
Operating Pressure	100000psig Max
Temperature Range	-40°C~+70°C

### Mechanical & Product Information

Product Number	RWGPW137G
Product Type	Waveguide Pressure Windows
Waveguide 1	WR137(R70), PDR70 Flange
Waveguide 2	WR137(R70), UDR70 Flange
Waveguide Body	Aluminum, grey painted
Center Contact	Aluminum, electric conductive oxidation