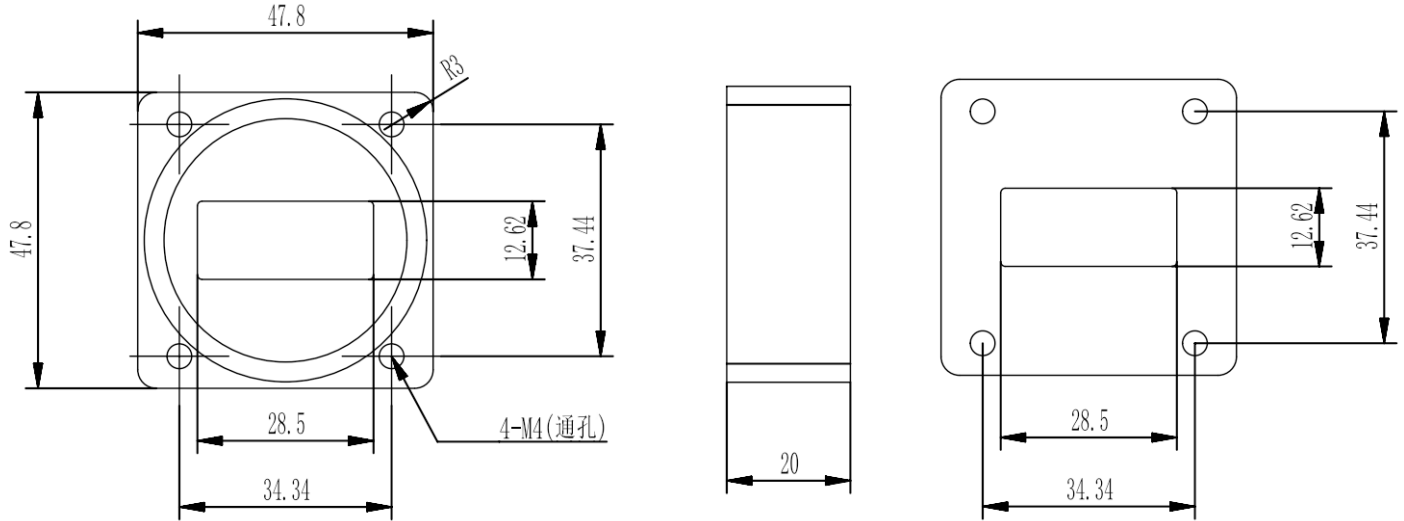




WR112(R84) Waveguide Pressure Windows, RWGPW112G 6.57-9.99GHz, 500W, PBR84 Flange

Dimensions(mm) Tolerance $\pm 1\%$



Electrical & Environmental

Frequency Range	6.57-9.99GHz
VSWR	1.2 Max
Insertion Loss	0.2dB Max
Input Avg Power	500W @25°C
Operating Pressure	100000psig Max
Temperature Range	-40°C~+70°C

Mechanical & Product Information

Product Number	RWGPW112G
Product Type	Waveguide Pressure Windows
Waveguide 1	WR112(R84), PBR84 Flange
Waveguide 2	WR112(R84), UBR84 Flange
Waveguide Body	Aluminum, grey painted
Center Contact	Aluminum, electric conductive oxidation