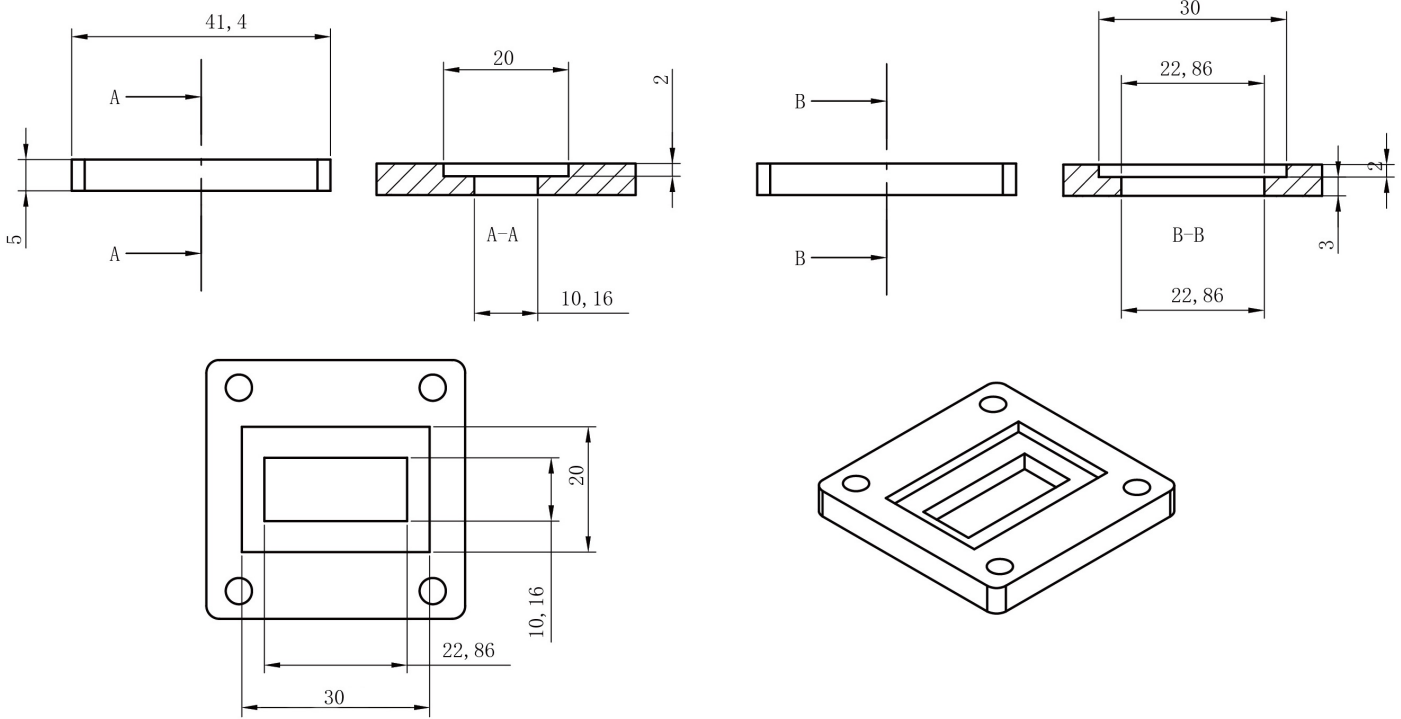


WR90(BJ100) Flange Piece, RWGF90-5-30-20-2
8.2-12.4GHz, FBP100(UBR) Flange

Dimensions(mm) Tolerance±1%



Electrical & Environmental

Frequency Range	8.2-12.4GHz
Temperature Range	-40°C to70°C

Mechanical & Product Information

Product Number	RWGF90-5-30-20-2
Product Type	Flange Piece
Waveguide 1	WR90(BJ100), FBP100(UBR) Flange
Waveguide 2	WR90(BJ100), FBP100(UBR) Flange
Waveguide Body	Copper, grey painted
Center Contact	Copper pickling