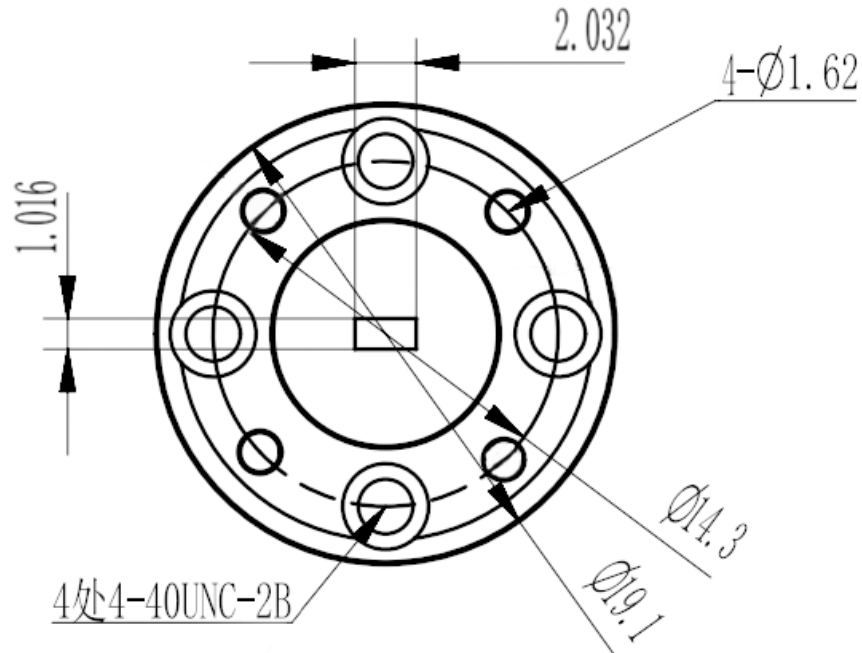


WR8(R1200) Flange Piece, RWGF8-L 92.2-140GHz, FUGP1200 Flange

Dimensions(mm) Tolerance $\pm 1\%$



Electrical & Environmental

Frequency Range	92.2-140GHz
Temperature Range	-40°C~+70°C

Product Selection, Customizable

RFTOP P/N	L(mm)	IL(dB)
RWGF8-4	3	-

Mechanical & Product Information

Product Number	RWGF8-L
Product Type	Flange Piece
Waveguide 1	WR8(R1200), FUGP1200 Flange
Waveguide 2	WR8(R1200), FUGP1200 Flange
Waveguide Body	Copper, gold plated
Center Contact	Copper, gold plated

Notes

1. Customized services include: length and structure and flange type.
2. The marked loss is the theoretical estimated loss, for reference only, the specific product after processing test shall prevail.
3. Please refer to the second page of the specification of typical electrical performance measured curve.