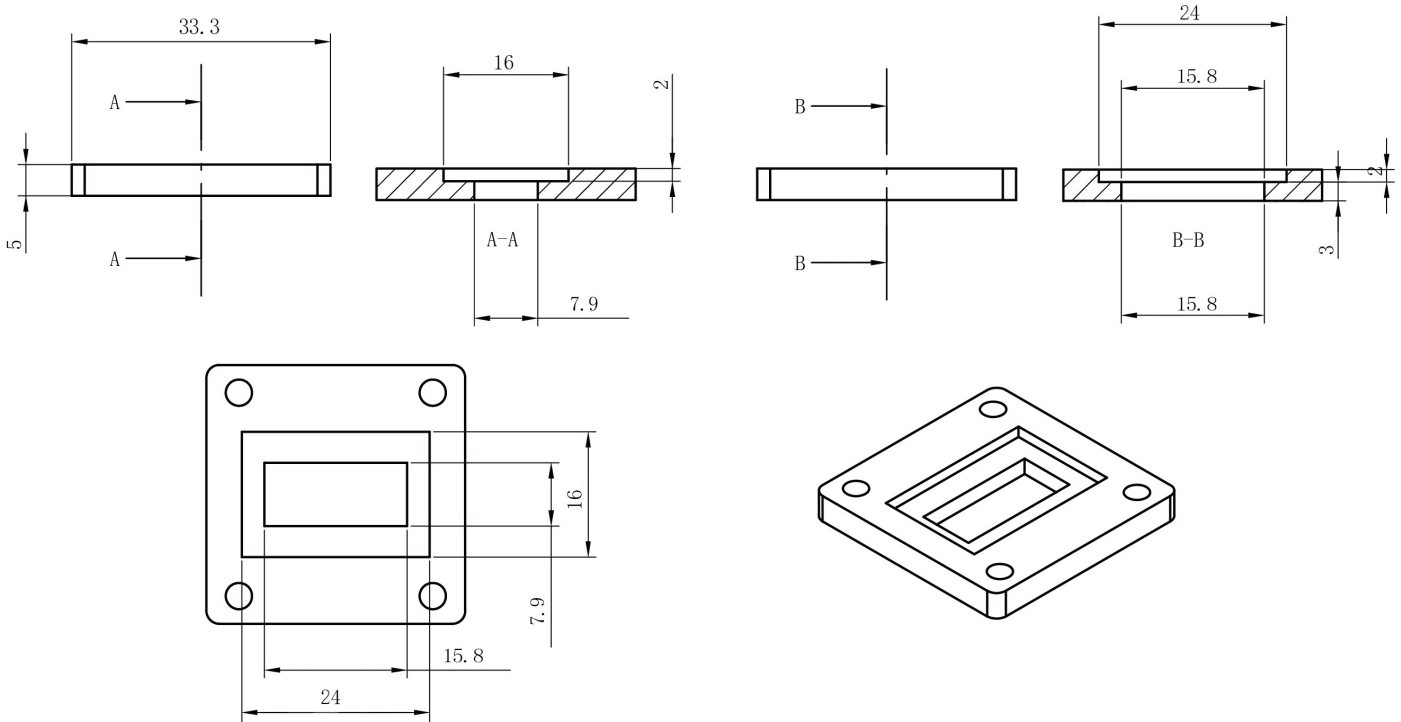




WR62(BJ140) Flange Piece, RWGF62-5-24-16-2
11.9-18GHz, FBP140(UBR) Flange

Dimensions(mm) Tolerance±1%



Electrical & Environmental

Frequency Range	11.9-18GHz
Temperature Range	-40°C to70°C

Mechanical & Product Information

Product Number	RWGF62-5-24-16-2
Product Type	Flange Piece
Waveguide 1	WR62(BJ140), FBP140(UBR) Flange
Waveguide 2	WR62(BJ140), FBP140(UBR) Flange
Waveguide Body	Aluminum, grey painted
Center Contact	Aluminum, electric conductive oxidation