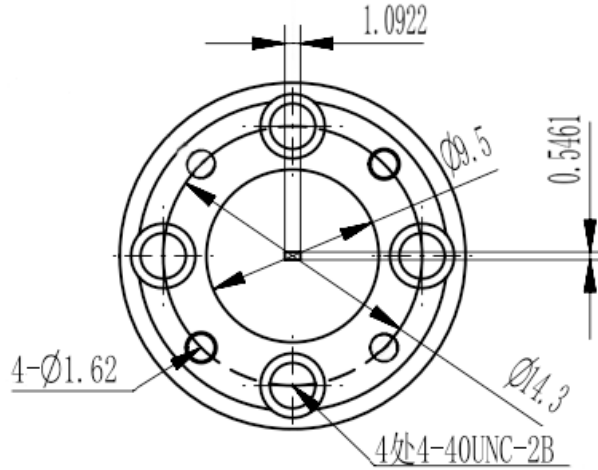


## WR4(R2200) Flange Piece, RWGF4-L 172-261GHz, FUGP2200 Flange

Dimensions(mm) Tolerance $\pm 1\%$



### Electrical & Environmental

Frequency Range	172-261GHz
Temperature Range	-40°C~+70°C

### Product Selection, Customizable

RFTOP P/N	L(mm)	IL(dB)
RWGF4-3	3	-

### Mechanical & Product Information

Product Number	RWGF4-L
Product Type	Flange Piece
Waveguide 1	WR4(R2200), FUGP2200 Flange
Waveguide 2	WR4(R2200), FUGP2200 Flange
Waveguide Body	Copper, gold plated
Center Contact	Copper, gold plated

#### Notes

1. Customized services include: length and structure and flange type.
2. The marked loss is the theoretical estimated loss, for reference only, the specific product after processing test shall prevail.
3. Please refer to the second page of the specification of typical electrical performance measured curve.