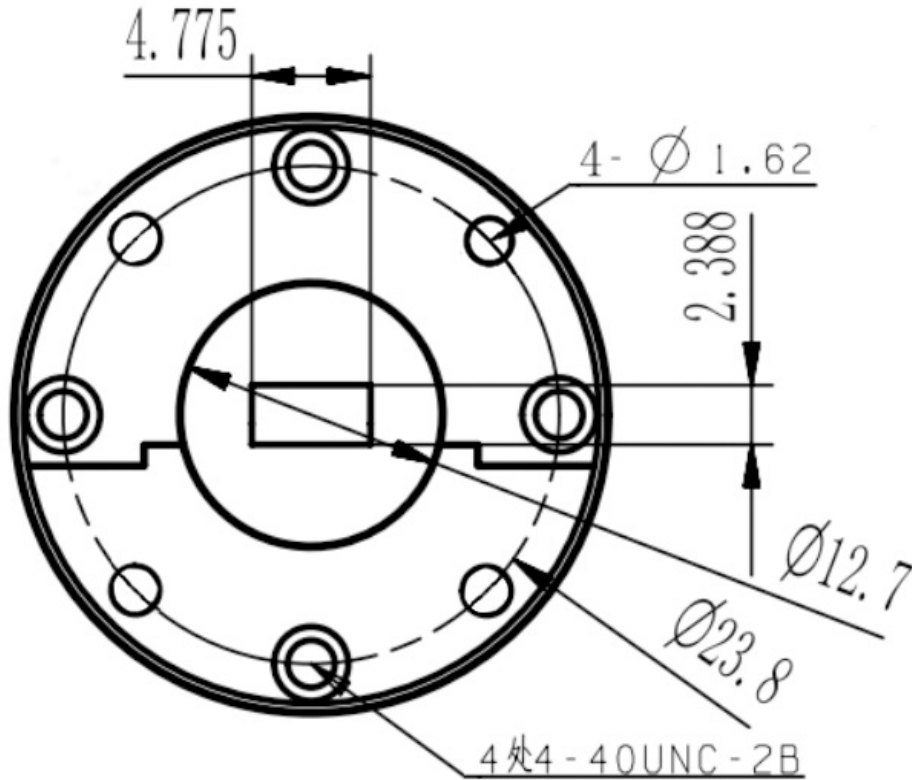


WR19(BJ500) Flange Piece, **RWGF19-L**
39.2-59.6GHz, FUGP500 Circular Flange

Dimensions(mm) Tolerance $\pm 1\%$



Electrical & Environmental

Frequency Range	39.2-59.6GHz
Temperature Range	-40°C to 70°C

Product Selection, Customizable		
RFTOP P/N	L(mm)	IL(dB)
RWGF19-4	3	0.06

Mechanical & Product Information

Product Number	RWGF19-L
Product Type	Flange Piece
Waveguide 1	WR19(BJ500), FUGP500 Circular Flange
Waveguide 2	WR19(BJ500), FUGP500 Circular Flange
Waveguide Body	Copper, gold plated
Center Contact	Copper, gold plated

Notes

1. Customized services include: length and structure and flange type.
2. The marked loss is the theoretical estimated loss, for reference only, the specific product after processing test shall prevail.
3. Please refer to the second page of the specification of typical electrical performance measured curve.