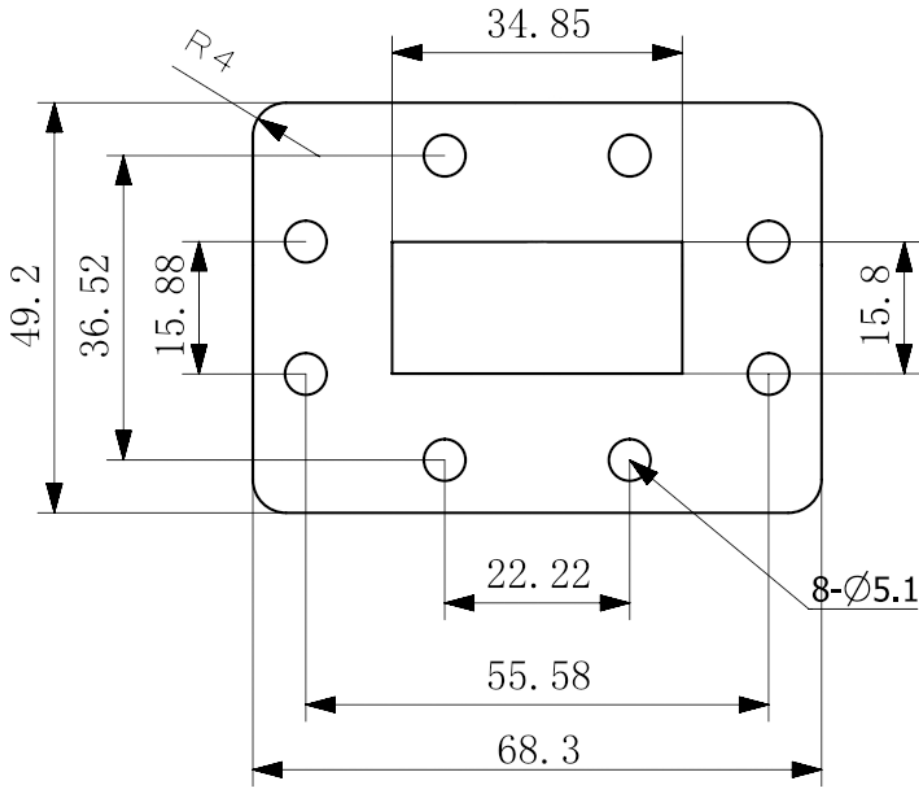


WR137(BJ70) Flange Piece, RWGF137-L
5.37-8.2GHz, FDP70(UDR) Flange

Dimensions(mm) Tolerance±1%



Electrical & Environmental

Frequency Range	5.37-8.2GHz
Temperature Range	-40°C to 70°C

Product Selection, Customizable		
RFTOP P/N	L(mm)	IL(dB)
RWGF137-8	8	0.05

Mechanical & Product Information

Product Number	RWGF137-L
Product Type	Flange Piece
Waveguide 1	WR137(BJ70), FDP70(UDR) Flange
Waveguide 2	WR137(BJ70), FDP70(UDR) Flange
Waveguide Body	Aluminum, grey painted
Center Contact	Aluminum, electric conductive oxidation

Notes

1. Customized services include: length and structure and flange type.
2. The marked loss is the theoretical estimated loss, for reference only, the specific product after processing test shall prevail.
3. Please refer to the second page of the specification of typical electrical performance measured curve.