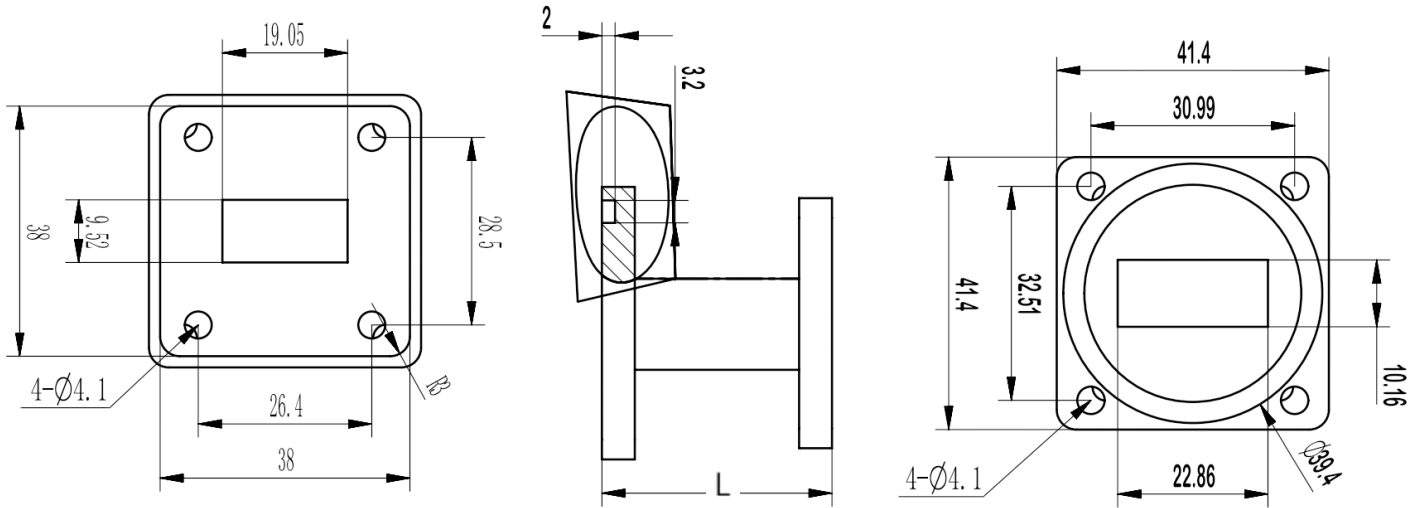


WR75(R120) to WR90(R100) Transitional Waveguide, RWG75T90G-L 9.84-15GHz, UBR120 Flange

Dimensions(mm) Tolerance $\pm 1\%$



Electrical & Environmental

Frequency Range	9.84-15GHz
VSWR	1.15 Max
Temperature Range	-40°C~+70°C

Product Selection, Customizable

RFTOP P/N	L(mm)	IL(dB)
RWG75T90G-35	35	≤ 0.10

Mechanical & Product Information

Product Number	RWG75T90G-L
Product Type	Transitional Waveguide
Waveguide 1	WR75(R120), UBR120 Flange
Waveguide 2	WR90(R100), PBR100 Flange
Waveguide Body	Aluminum, grey painted
Center Contact	Aluminum, electric conductive oxidation

Notes

1. Customized services include: length and structure and flange type.
2. The marked loss is the theoretical estimated loss, for reference only, the specific product after processing test shall prevail.
3. Please refer to the second page of the specification of typical electrical performance measured curve.