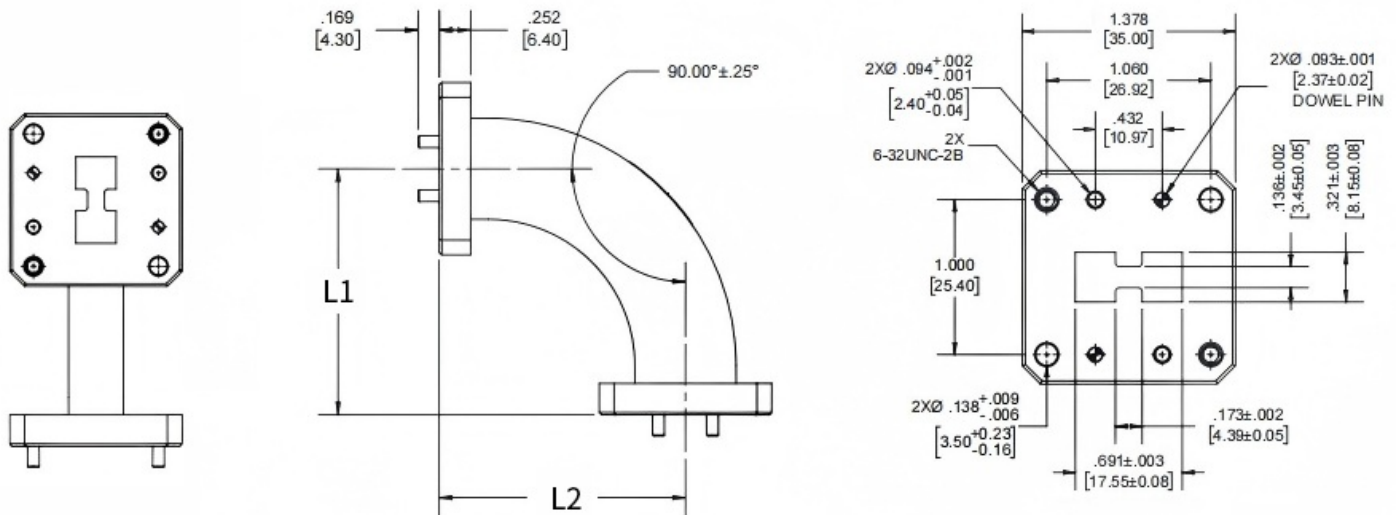


## WRD750 Radius Right Angle Bent Waveguide, RWDGWH750-L1-L2 7.5-18GHz, FPWRD750 Flange, H-Bend

### Dimensions(mm) Tolerance±1%



### Electrical & Environmental

Frequency Range	7.5-18GHz
VSWR	<1.15 Max
Temperature Range	-40°C~+70°C

Product Selection, Customizable			
RFTOP P/N	L1(mm)	L2(mm)	IL(dB)
RWDGWH750-50-50	50	50	≤0.20

### Mechanical & Product Information

Product Number	RWDGWH750-L1-L2
Product Type	Bent Waveguide
Waveguide 1	WRD750, FPWRD750 Flange
Waveguide 2	WRD750, FPWRD750 Flange
Waveguide Body	Aluminum, grey painted
Center Contact	Aluminum, electric conductive oxidation

#### Notes

1. Customized services include: length and structure and flange type.
2. The marked loss is the theoretical estimated loss, for reference only, the specific product after processing test shall prevail.
3. Please refer to the second page of the specification of typical electrical performance measured curve.