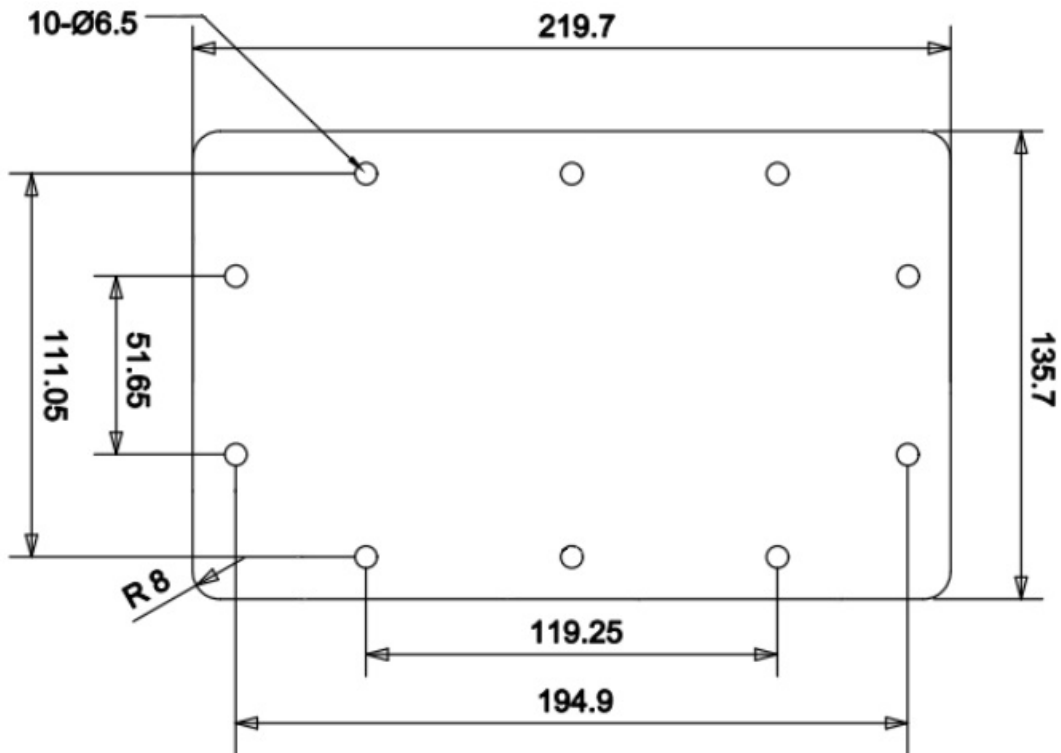


WRD84 Short-circuiter, **RWDGSC84**
0.84-2GHz,

Dimensions(mm) Tolerance $\pm 1\%$



Electrical & Environmental

Frequency Range	0.84-2GHz
Temperature Range	-40°C~+70°C

Mechanical & Product Information

Product Number	RWDGSC84
Product Type	Short-circuiter
Waveguide 1	WRD84,
Waveguide 2	WRD84,
Waveguide Body	Aluminum, grey painted
Center Contact	Aluminum, electric conductive oxidation