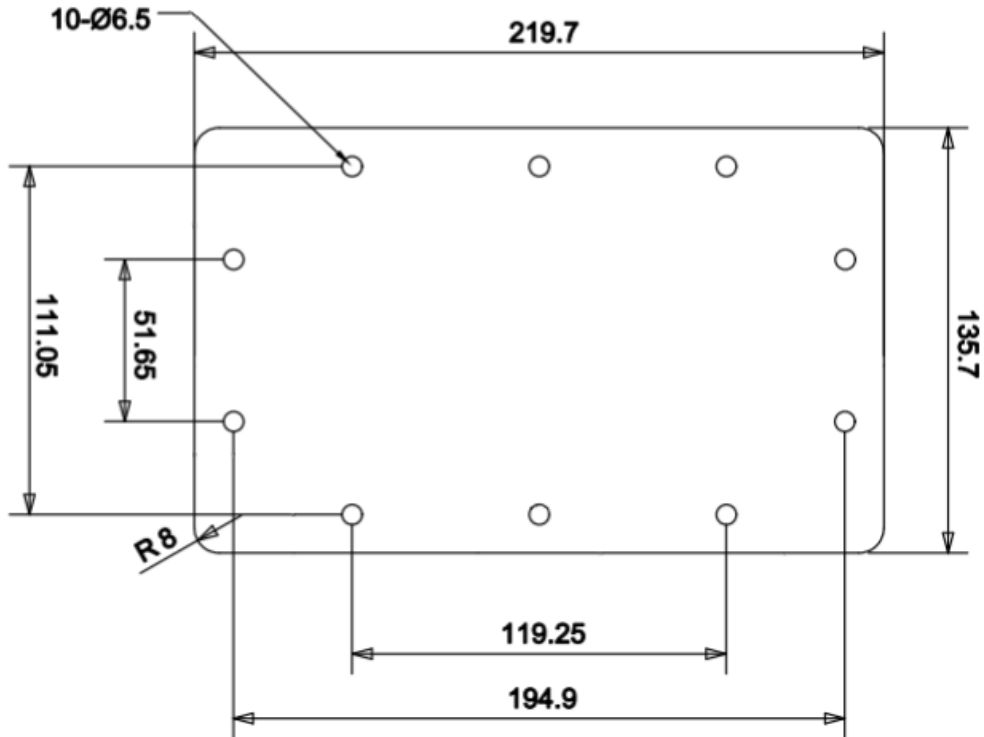


WRD840 Short-circuiter, RWDGSC840
0.8-2GHz, FPWRD840 Rectangular Flange

Dimensions(mm) Tolerance±1%



Electrical & Environmental

Frequency Range	0.8-2GHz
Temperature Range	-40°C to70°C

Mechanical & Product Information

Product Number	RWDGSC840
Product Type	Short-circuiter
Waveguide 1	WRD840, FPWRD840 Rectangular Flange
Waveguide 2	WRD840, FPWRD840 Rectangular Flange
Waveguide Body	Aluminum, grey painted
Center Contact	Aluminum, electric conductive oxidation