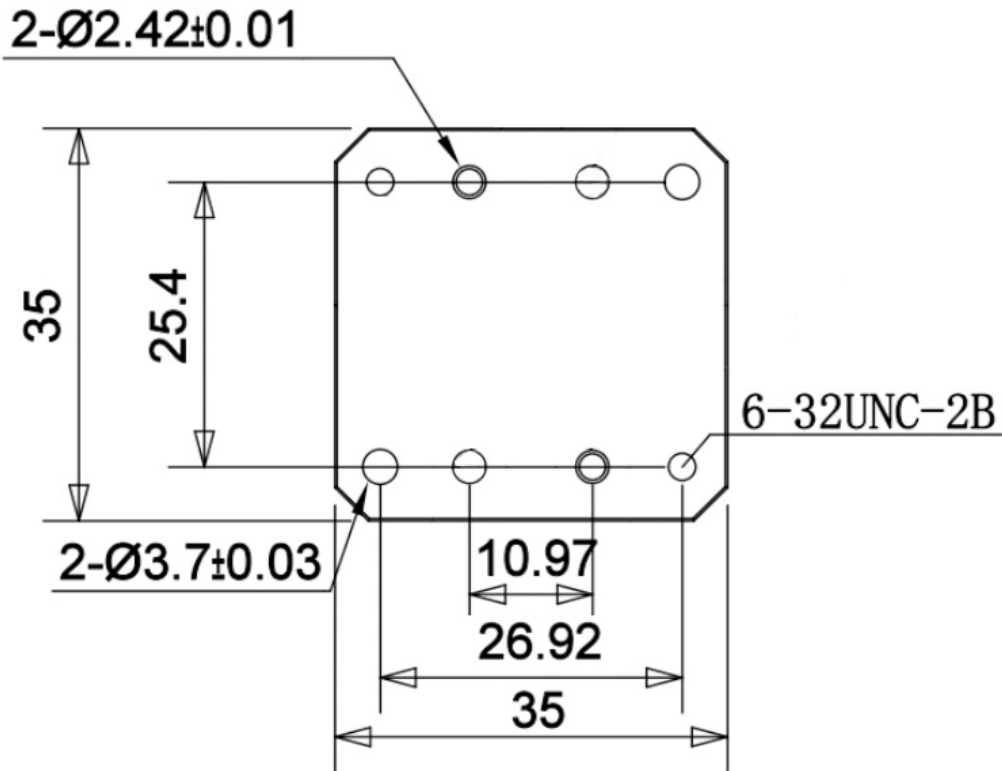


WRD750 Short-circuiter, **RWDGSC750**
7.5-18GHz, FPWRD750 Flange

Dimensions(mm) Tolerance $\pm 1\%$



Electrical & Environmental

| | |
|-------------------|-------------|
| Frequency Range | 7.5-18GHz |
| Temperature Range | -40°C~+70°C |

Mechanical & Product Information

| | |
|----------------|---|
| Product Number | RWDGSC750 |
| Product Type | Short-circuiter |
| Waveguide 1 | WRD750, FPWRD750 Flange |
| Waveguide 2 | WRD750, FPWRD750 Flange |
| Waveguide Body | Aluminum, grey painted |
| Center Contact | Aluminum, electric conductive oxidation |