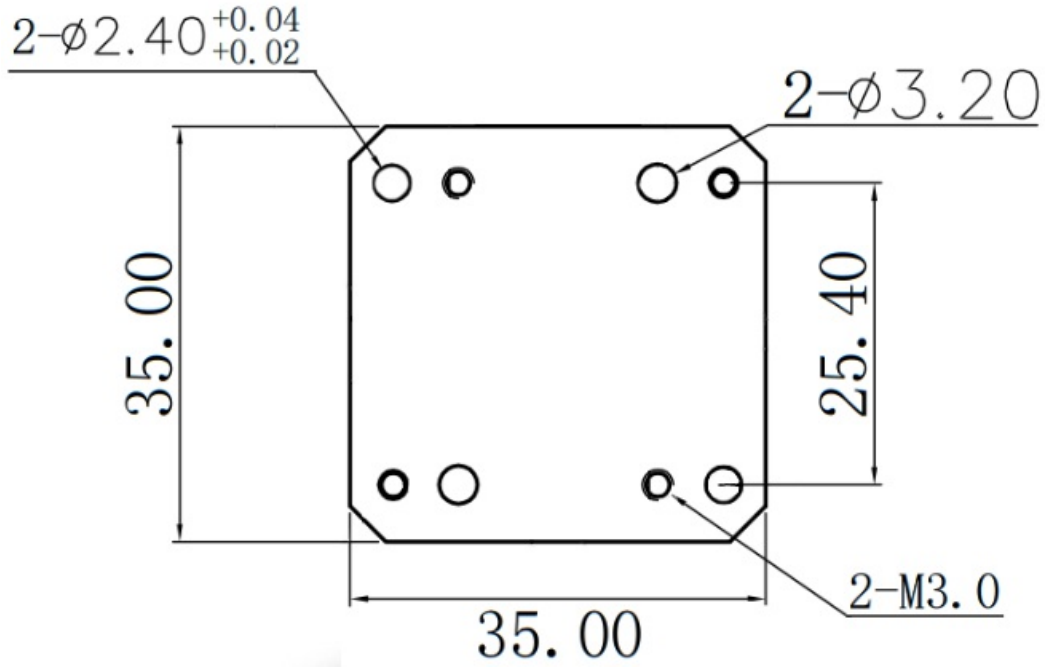


WRD650 Short-circuiter, RWDGSC650
6-18GHz, FPWRD650 Rectangular Flange

Dimensions(mm) Tolerance±1%



Electrical & Environmental

Frequency Range	6-18GHz
Temperature Range	-40°C to 70°C

Mechanical & Product Information

Product Number	RWDGSC650
Product Type	Short-circuiter
Waveguide 1	WRD650, FPWRD650 Rectangular Flange
Waveguide 2	WRD650, FPWRD650 Rectangular Flange
Waveguide Body	Aluminum, grey painted
Center Contact	Aluminum, electric conductive oxidation