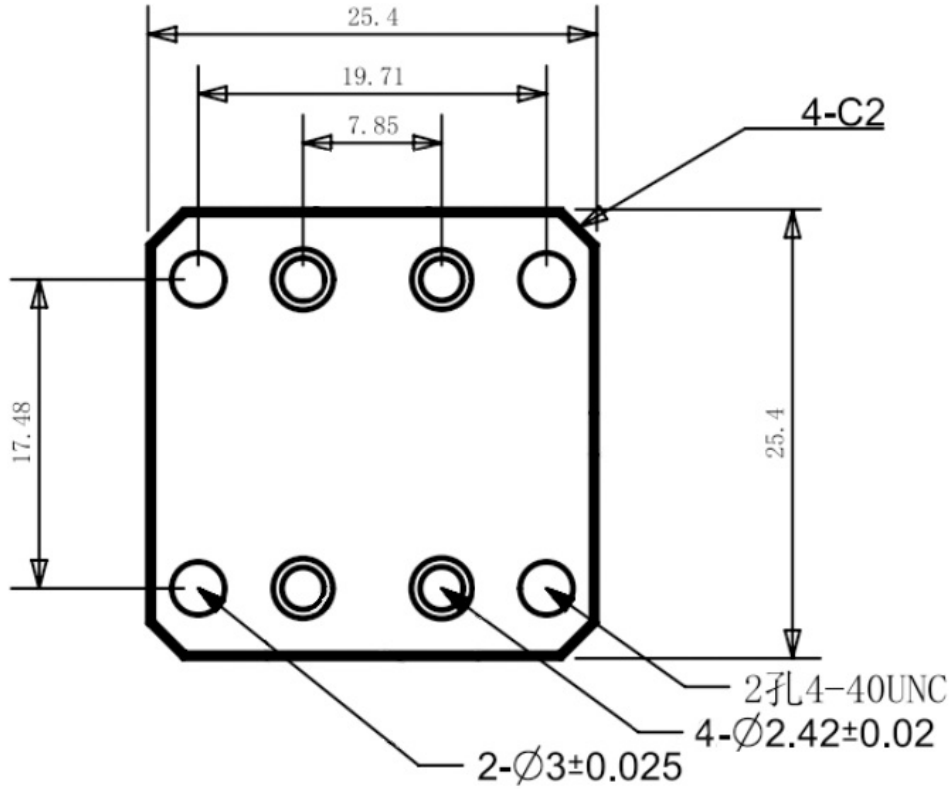


WRD110 Short-circuiter, RWDGSC110
11-26.5GHz, FPWRD110 Rectangular Flange

Dimensions(mm) Tolerance $\pm 1\%$



Electrical & Environmental

Frequency Range	11-26.5GHz
Temperature Range	-40°C to 70°C

Mechanical & Product Information

Product Number	RWDGSC110
Product Type	Short-circuiter
Waveguide 1	WRD110, FPWRD110 Rectangular Flange
Waveguide 2	WRD110, FPWRD110 Rectangular Flange
Waveguide Body	Aluminum, grey painted
Center Contact	Aluminum, electric conductive oxidation