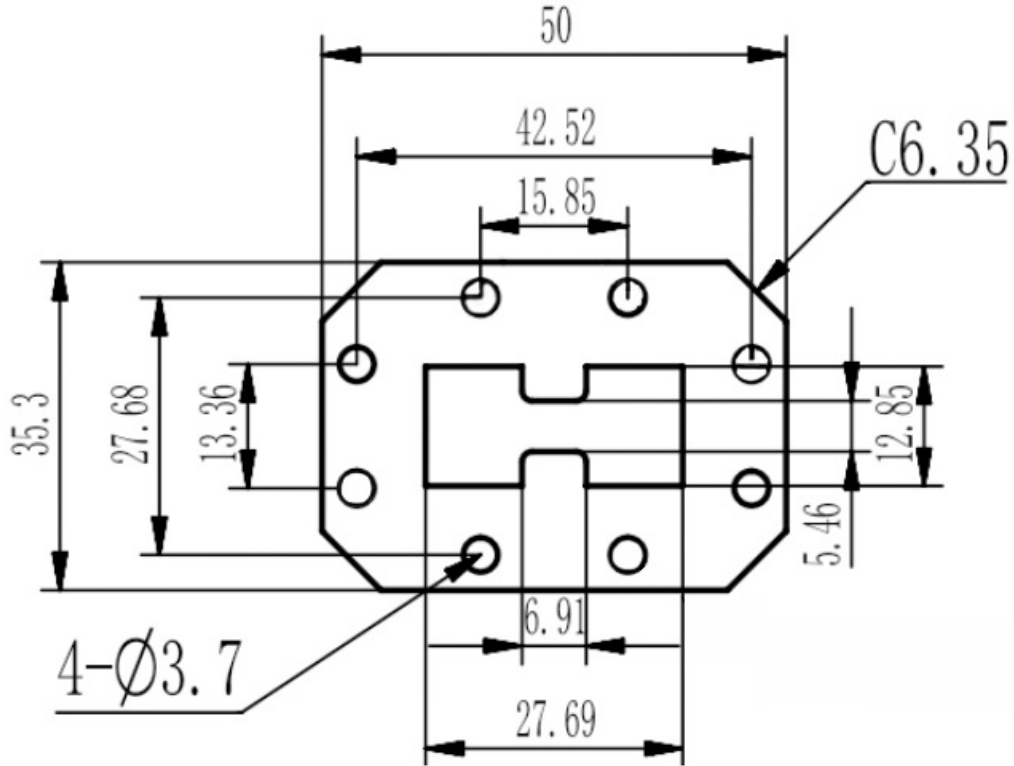


WRD475 1/4 Line, **RWDGQL475**
4.75-11GHz, FPWRD475 Flange

Dimensions(mm) Tolerance $\pm 1\%$



Electrical & Environmental

Frequency Range	4.75-11GHz
Temperature Range	-40°C~+70°C

Mechanical & Product Information

Product Number	RWDGQL475
Product Type	1/4 Line
Waveguide 1	WRD475, FPWRD475 Flange
Waveguide 2	WRD475, FPWRD475 Flange
Waveguide Body	Aluminum, grey painted
Center Contact	Aluminum, electric conductive oxidation