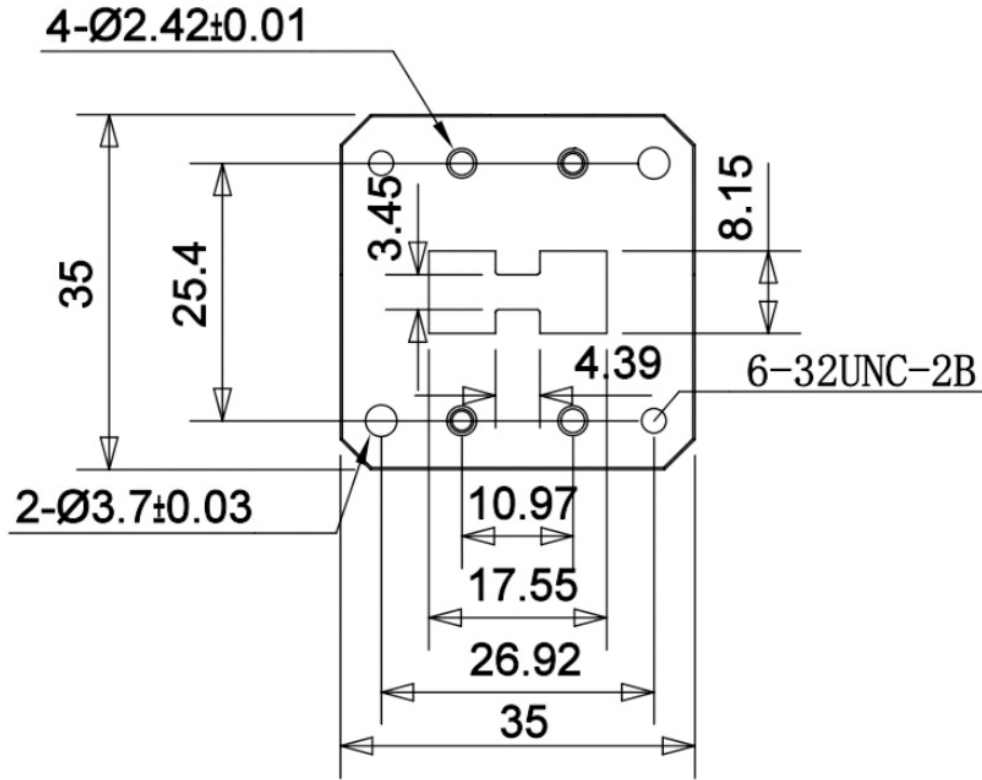


WRD750 Flange Piece, RWDGF750-L
7.5-18GHz, FPWRD750 Flange

Dimensions(mm) Tolerance±1%



Electrical & Environmental

Frequency Range	7.5-18GHz
Temperature Range	-40°C~+70°C

Product Selection, Customizable		
RFTOP P/N	L(mm)	IL(dB)
RWDGF750-6	6	-

Mechanical & Product Information

Product Number	RWDGF750-L
Product Type	Flange Piece
Waveguide 1	WRD750, FPWRD750 Flange
Waveguide 2	WRD750, FPWRD750 Flange
Waveguide Body	Aluminum, grey painted
Center Contact	Aluminum, electric conductive oxidation

Notes

1. Customized services include: length and structure and flange type.
2. The marked loss is the theoretical estimated loss, for reference only, the specific product after processing test shall prevail.
3. Please refer to the second page of the specification of typical electrical performance measured curve.