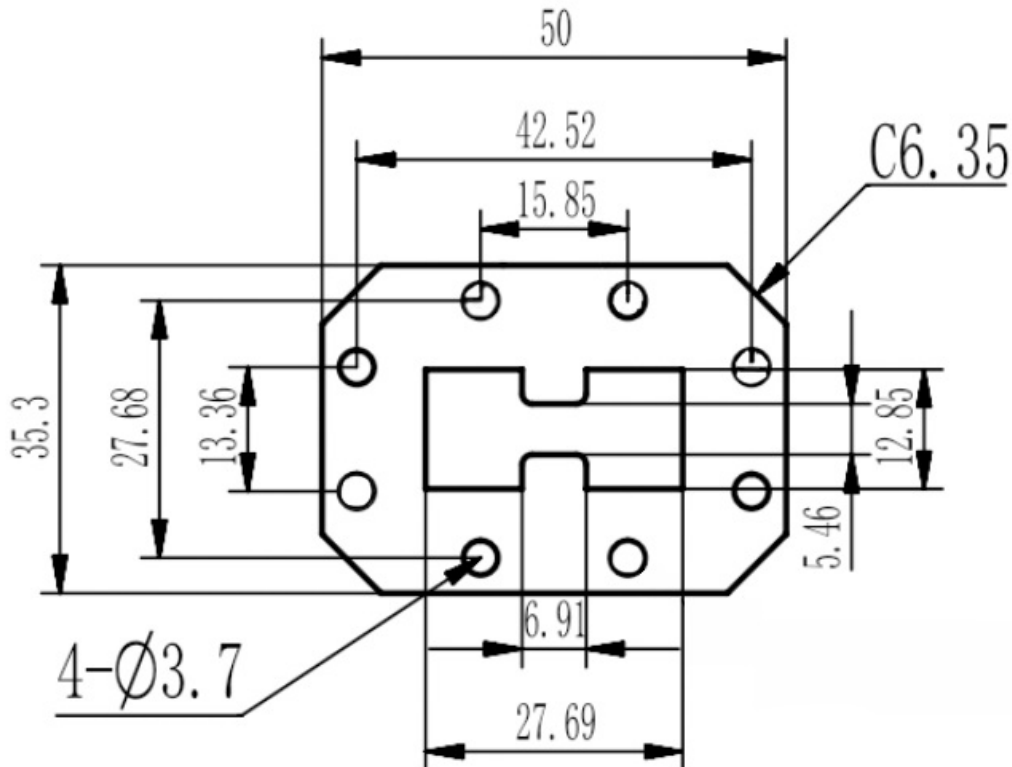


WRD475 Flange Piece, RWDGF475-L 4.75-11GHz, FPWRD475 Flange

Dimensions(mm) Tolerance $\pm 1\%$



Electrical & Environmental

| | |
|-------------------|-------------|
| Frequency Range | 4.75-11GHz |
| Temperature Range | -40°C~+70°C |

Product Selection, Customizable

| RFTOP P/N | L(mm) | IL(dB) |
|------------|-------|--------|
| RWDGF475-6 | 6 | - |

Mechanical & Product Information

| | |
|----------------|-----------------------------------------|
| Product Number | RWDGF475-L |
| Product Type | Flange Piece |
| Waveguide 1 | WRD475, FPWRD475 Flange |
| Waveguide 2 | WRD475, FPWRD475 Flange |
| Waveguide Body | Aluminum, grey painted |
| Center Contact | Aluminum, electric conductive oxidation |

Notes

1. Customized services include: length and structure and flange type.
2. The marked loss is the theoretical estimated loss, for reference only, the specific product after processing test shall prevail.
3. Please refer to the second page of the specification of typical electrical performance measured curve.