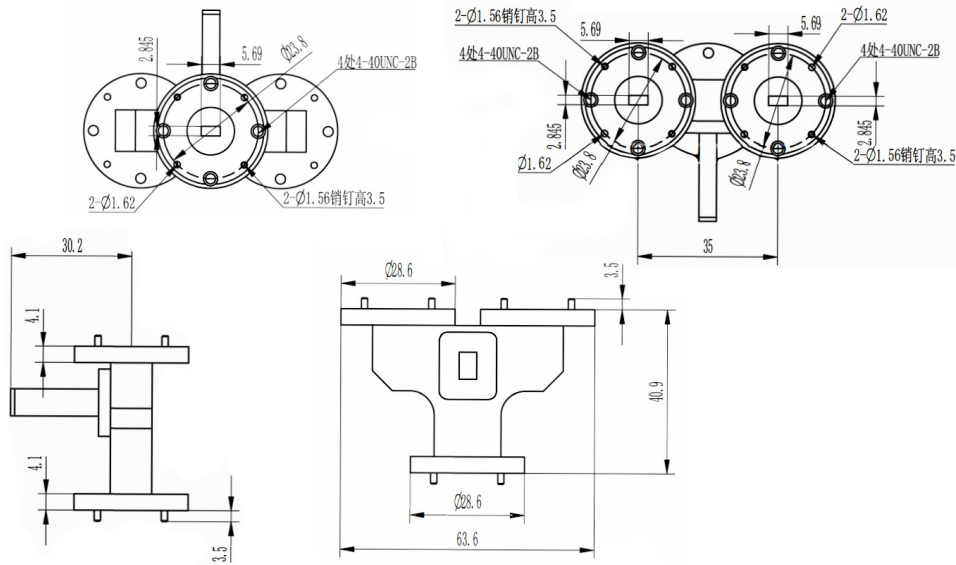


WR22(BJ400) 2 Way Waveguide Power Divider, RWPD22-2 40-46GHz, 50W , FUGP400 Circular Flange , P-Grade

Dimensions(mm) Tolerance $\pm 1\%$



Electrical & Environmental

Frequency Range	40-46GHz	Impedance	50 Ohm
Input Port VSWR	1.3 max		
Output Port VSWR	1.3 max		
Insertion Loss	0.3dB max		
Isolation	20dB min		
Phase Balance	$\pm 3^\circ$		
Input Avg Power	50 Watts max @25°C (Derate linearly to 5 Watt at 100°C)		
Operating Temp	-55°C ~ +85°C		

Mechanical & Product Information

Product Number	RWPD22-2, P-Grade	Way	2
Waveguide	WR22(BJ400), FUGP400 Circular Flange	Waveguide Body	Copper, gold plated
Center Contact	Copper, gold plated		
Housing	Gold plated		
Dimensions	63.6×40.9×30.2mm	Net Weight	-