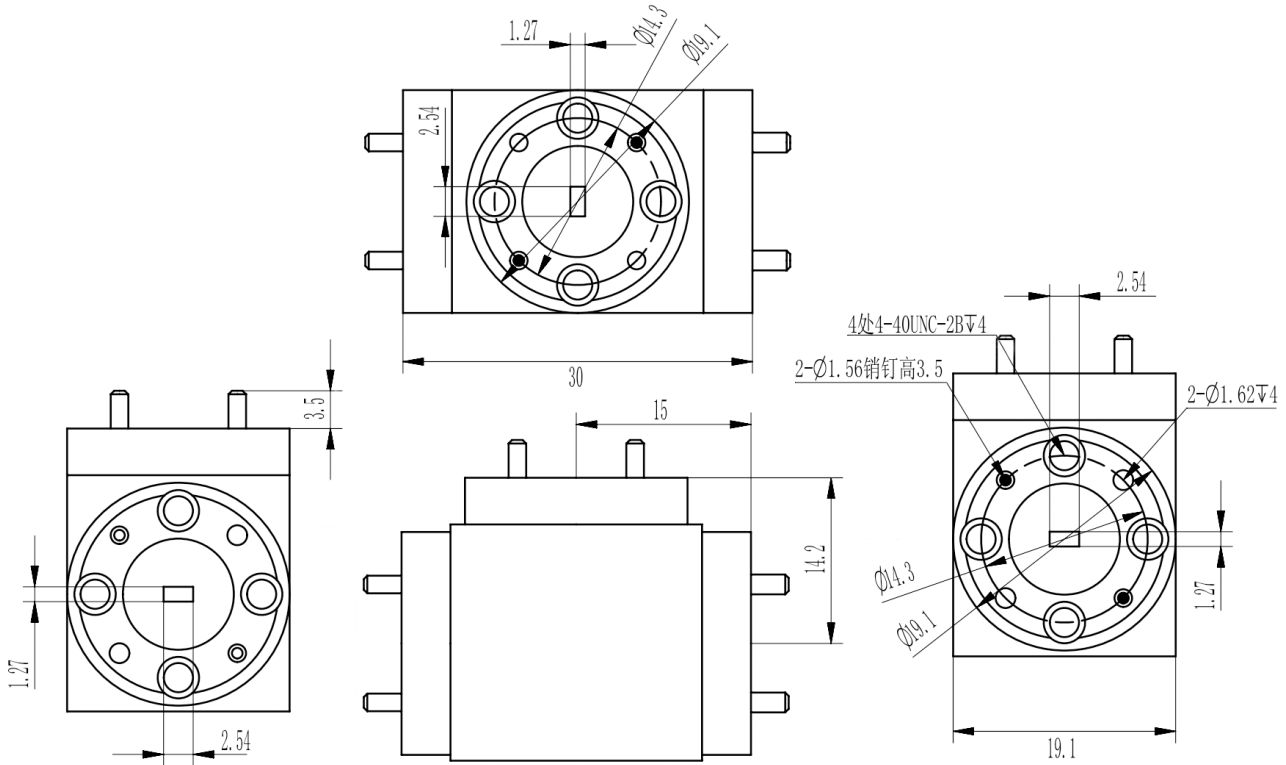




## WR10(BJ900) 2 Way Waveguide Power Divider, RRPD10T-2 73.8-112GHz, W, FUGP900 Flange, P-Grade

### Dimensions(mm) Tolerance $\pm 1\%$



### Electrical & Environmental

Frequency Range	73.8-112GHz	Impedance	50 Ohm
Input Port VSWR	1.3 max	Output Port VSWR	1.3 max
Insertion Loss	0.5dB max		
Operating Temp	-55°C ~ +85°C		

### Mechanical & Product Information

Product Number	RRPD10T-2, P-Grade	Way	2
Waveguide	WR10(BJ900), FUGP900 Flange	Waveguide Body	Copper, gold plated
Center Contact	Copper, gold plated		
Housing	Gold plated		
Dimensions	30×19.1×19.1mm	Net Weight	-