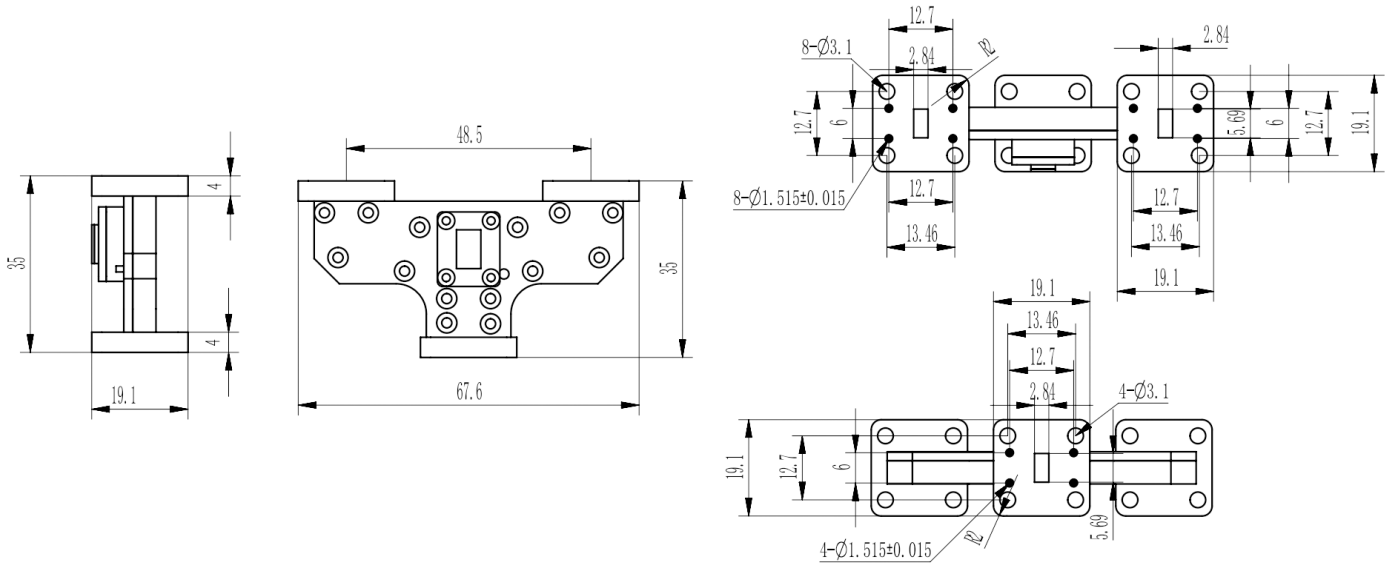


WR22(BJ400) 2 Way Waveguide Magic Tee, RWMT22 37-40GHz, W, UG-383/U Flange

Dimensions(mm) Tolerance $\pm 1\%$



Electrical & Environmental

Frequency Range	37-40GHz		
Input Port VSWR	1.25 Max	Output Port VSWR	1.25 Max
Insertion Loss	0.30dB Max		
Isolation	20dB min		
Operating Temp	-55°C ~ +85°C		

Mechanical & Product Information

Product Number	RWMT22	Way	2
Waveguide	WR22(BJ400), UG-383/U Flange	Waveguide Body	Copper, gold plated
Center Contact	Copper, gold plated		
Housing	Gold plated		
Dimensions	67.6×35×19.1mm	Net Weight	-