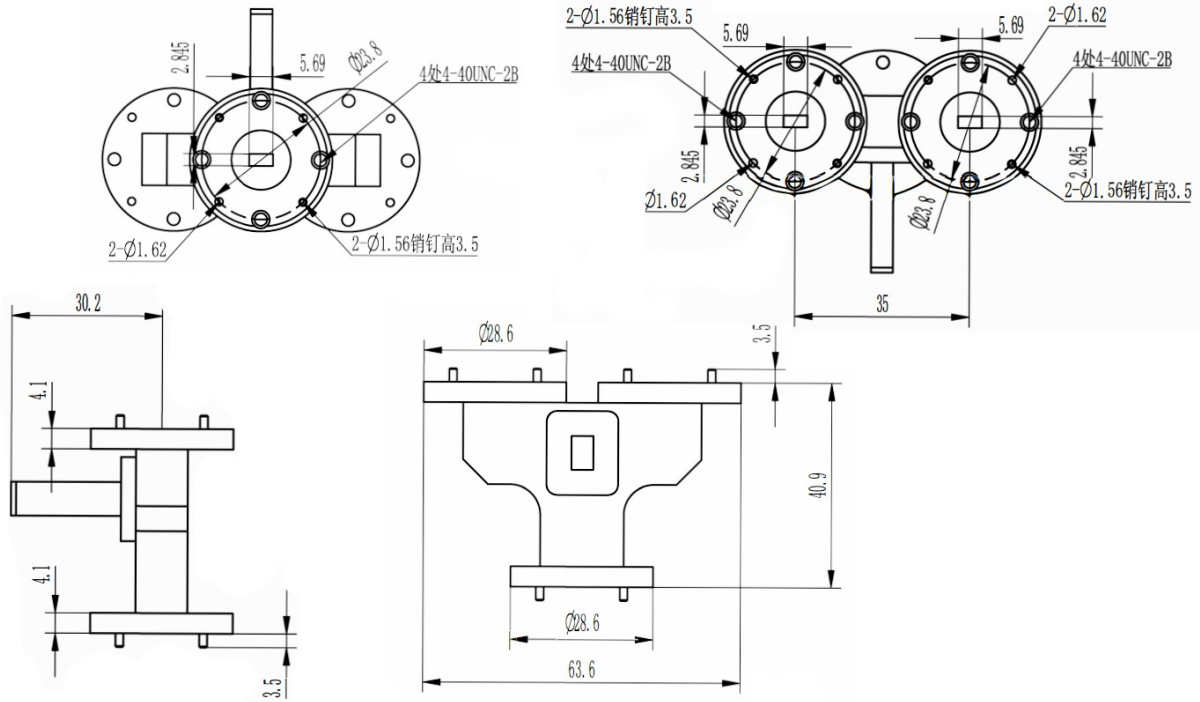


WR22(BJ400) 2 Way Waveguide Magic Tee Power Divider, RWMT22W50

40-46GHz, 50W, UG-383/U Flange

Dimensions(mm) Tolerance±1%



Electrical & Environmental

Frequency Range	40-46GHz		
Input Port VSWR	1.3 Max	Output Port VSWR	1.3 Max
Insertion Loss	0.30dB Max		
Isolation	20dB min		
Amplitude Balance	± 0.3dB	Phase Balance	±3°
Input Avg Power	50 Watts Max @25°C (Derate linearly to 5 Watt at 100°C)		
Operating Temp	-55°C ~ +85°C		

Mechanical & Product Information

Product Number	RWMT22W50	Way	2
Waveguide	WR22(BJ400), UG-383/U Flange	Waveguide Body	Copper, gold plated
Center Contact	Copper, gold plated		
Housing	Gold plated		
Dimensions	63.6×40.9×30.2mm	Net Weight	-