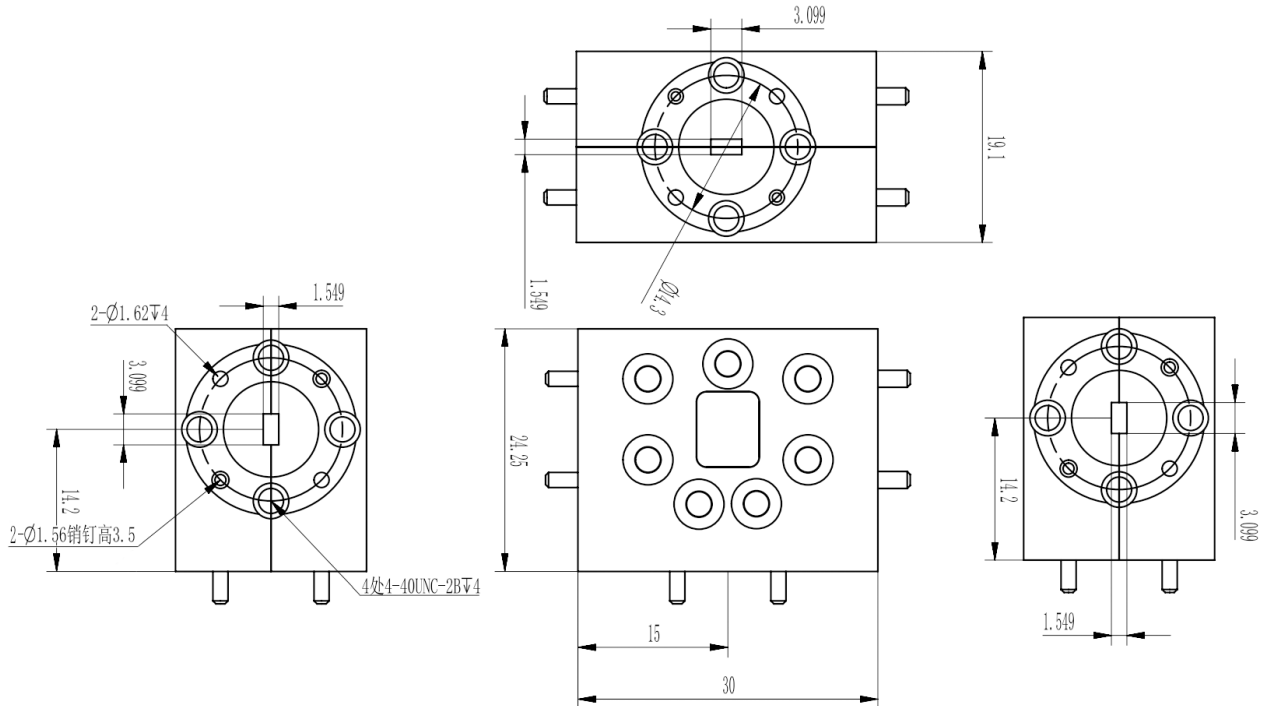


WR12(BJ740) 2 Way Waveguide Magic Tee, RWMT12 60-90GHz, W, UG-387/U Flange

Dimensions(mm) Tolerance $\pm 1\%$



Electrical & Environmental

Frequency Range	60-90GHz		
Input Port VSWR	1.25 Max	Output Port VSWR	1.25 Max
Insertion Loss	0.50dB Max		
Isolation	20dB min		
Operating Temp	-40°C ~ +70°C		

Mechanical & Product Information

Product Number	RWMT12	Way	2
Waveguide	WR12(BJ740), UG-387/U Flange	Waveguide Body	Copper, gold plated
Center Contact	Copper, gold plated		
Housing	Gold plated		
Dimensions	30×24.25×19.1mm	Net Weight	-