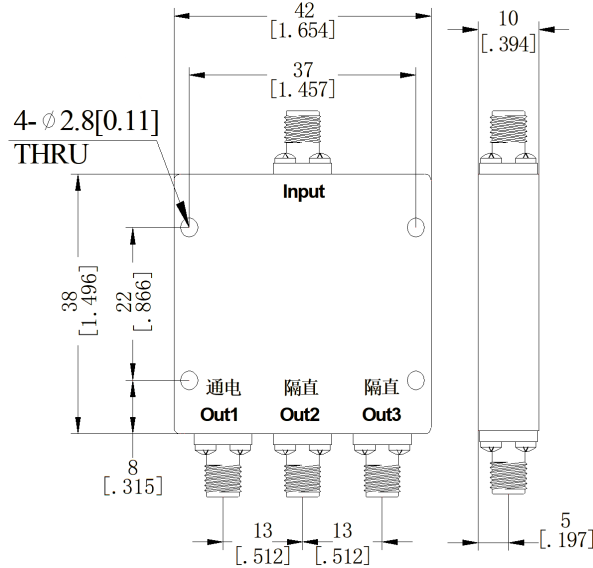


SMA 3 Way Microstrip Power Divider, RPDE2F4S3 2-4GHz, 10W , P-Grade , DC Block

Dimensions(mm) Tolerance±1%



Electrical & Environmental

Frequency Range	2-4GHz	Impedance	50 Ohm
Input Port VSWR	1.25 max (Typ.1.15)		
Output Port VSWR	1.2 max (Typ.1.12)		
Insertion Loss	6.5dB max (输出1) ; 6.5dB (输出2) ; 3.3dB (输出3)		
Isolation	20dB min (Typ.26dB)		
Amplitude Balance	± 0.2dB		
Input Avg Power	10 Watts max @25°C (Derate linearly to 1 Watt at 100°C) (Combiner合路器用时2W)		
Power Supply	24V		
Operating Temp	-45°C ~ +85°C		

Mechanical & Product Information

Product Number	RPDE2F4S3, P-Grade, DC Block	Way	3
Connector	SMA Female	Connector Body	Passivated stainless steel
Center Contact	Gold plated beryllium copper		
Housing	Silver paint		
Dimensions	38×42×10mm	Net Weight	-