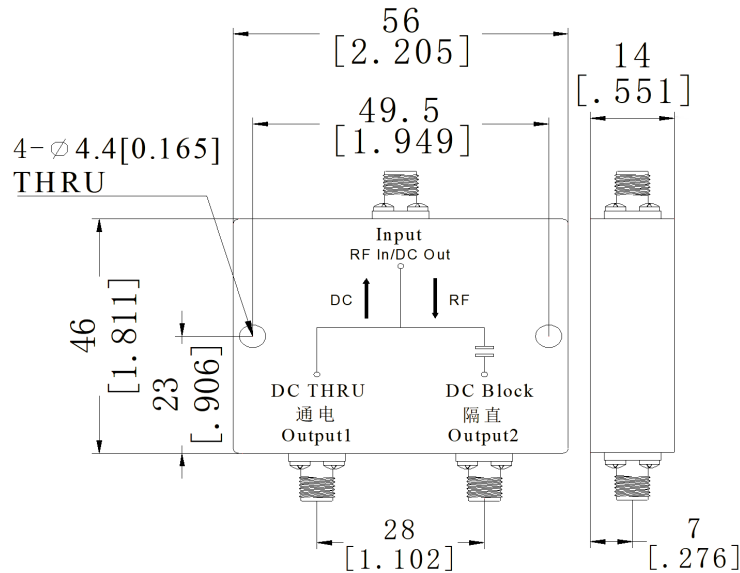


SMA 2 Way Microstrip Power Divider, RPDE101F107S2 1100-1700MHz, 30W , E-Grade , DC Block

Dimensions(mm) Tolerance $\pm 1\%$



Electrical & Environmental

Frequency Range	1100-1700MHz	Impedance	50 Ohm
Input Port VSWR	1.2 max (Typ.1.15)		
Output Port VSWR	1.2 max (Typ.1.11)		
Insertion Loss	0.3dB max (Excluding theoretical loss未含理论损耗3.0dB)		
Isolation	20dB min (Typ.28dB)		
Amplitude Balance	$\leq 0.2\text{dB}$		
Phase Balance	$\pm 2^\circ$		
Input Avg Power	30 Watts max @25°C (Derate linearly to 3 Watt at 100°C) (Combiner合路器用时2W)		
Power Supply	24V		
Operating Temp	-35°C ~ +75°C		

Mechanical & Product Information

Product Number	RPDE101F107S2, E-Grade, DC Block	Way	2
Connector	SMA Female	Connector Body	Ternary alloy plated brass
Center Contact	Gold plated beryllium copper		
Housing	Sandblasting natural color conductive oxide		
Dimensions	46×56×14mm	Net Weight	About 85.0g