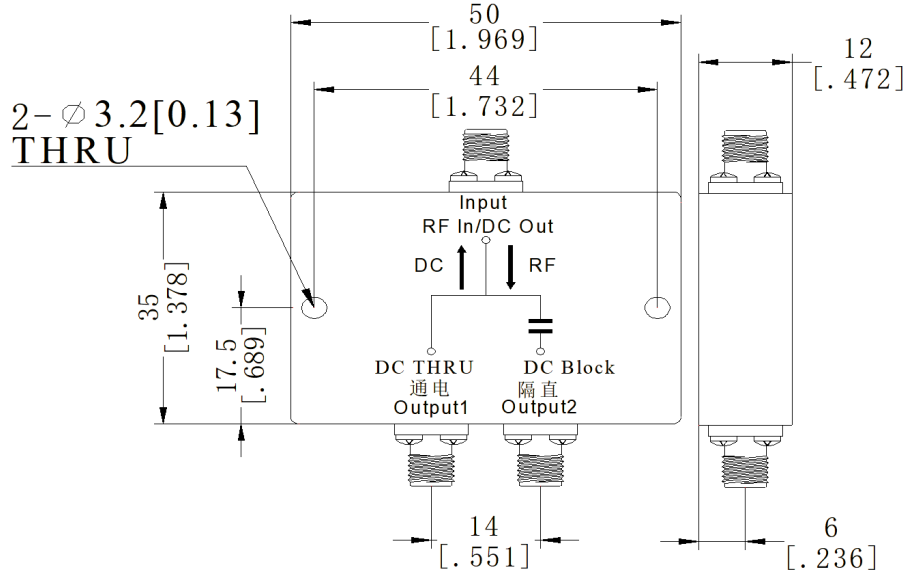


SMA 2 Way Microstrip Power Divider, RPDE101F106S2 1100-1600MHz, 20W , DC Block

Dimensions(mm) Tolerance±1%



Electrical & Environmental

Frequency Range	1100-1600MHz	Impedance	50 Ohm
Input Port VSWR	1.2 max (Typ.1.15)		
Output Port VSWR	1.2 max (Typ.1.11)		
Insertion Loss	0.4dB max (Excluding theoretical loss未含理论损耗3.0dB)		
Isolation	22dB min (Typ.28dB)		
Amplitude Balance	± 0.2dB		
Phase Balance	±2°		
Input Avg Power	20 Watts max @25°C (Derate linearly to 2 Watt at 100°C) (Combiner合路器用时2W)		
Power Supply	24V		
Operating Temp	-35°C ~ +75°C		

Mechanical & Product Information

Product Number	RPDE101F106S2, DC Block	Way	2
Connector	SMA Female	Connector Body	Ternary alloy plated brass
Center Contact	Gold plated beryllium copper		
Housing	Gray paint		
Dimensions	35×50×12mm	Net Weight	About 60.0g